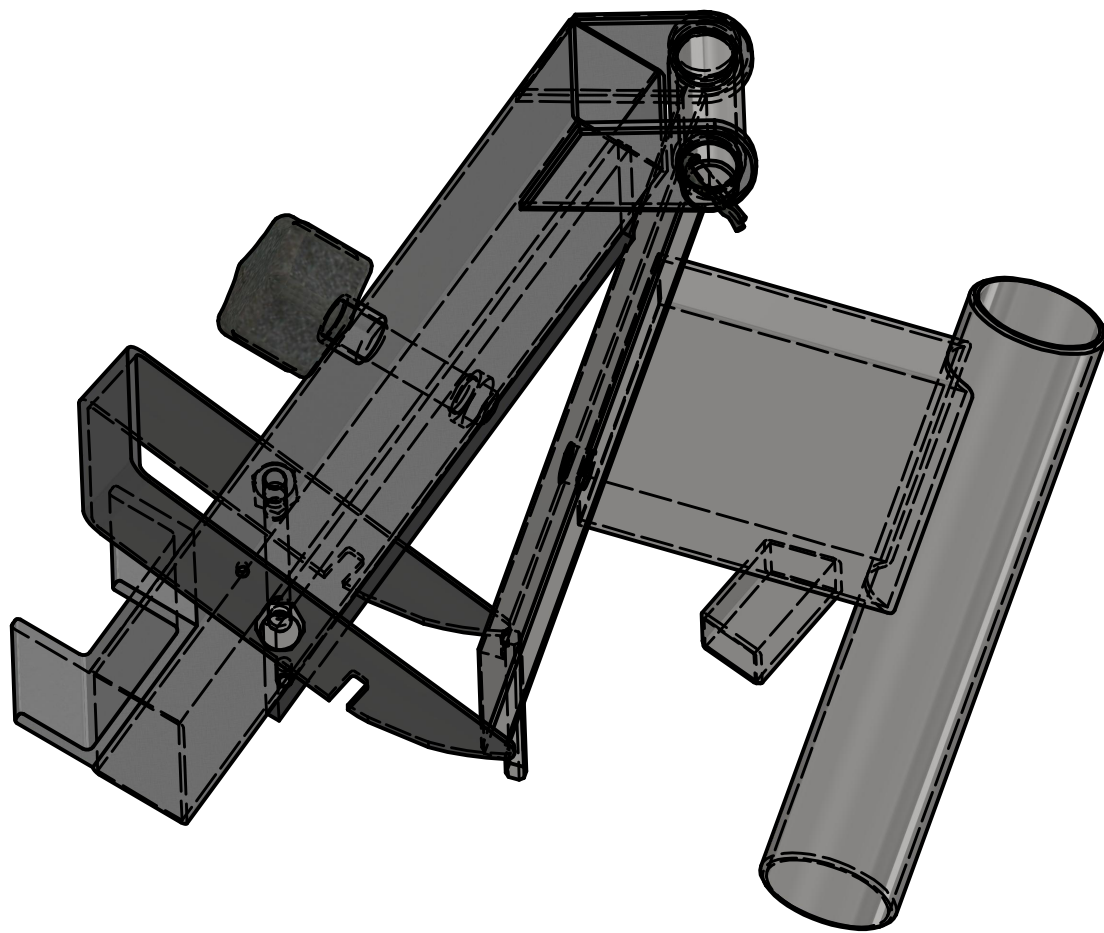



PARTS LIST		
ITEM	QTY	PART NUMBER
1	1	Bisagra completa



				Esc.: 1:2			
						Para construir	
				Date	Name		
				Drawn	12/17/2023		
				Checked			
				Standard			
						Bisagra completa	
						2	
						A4	
State	Changes	Date	Name				