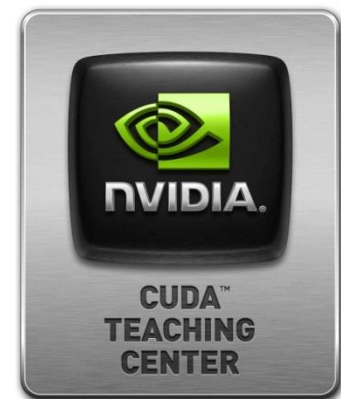


# Programación masivamente paralela en procesadores gráficos (GPUs)

E. Dufrechou, P. Ezzatti y M. Pedemonte



# Clase 1

## Introducción

# Contenido

- **Motivación**
- **Curso de GPGPU**
- **Un poco de historia...**
- **El pipeline gráfico**
- **Tarjetas programables**
- **¿Por qué una arquitectura unificada?**
- **CUDA**
- **Comparación de la performance entre CPU vs GPU**

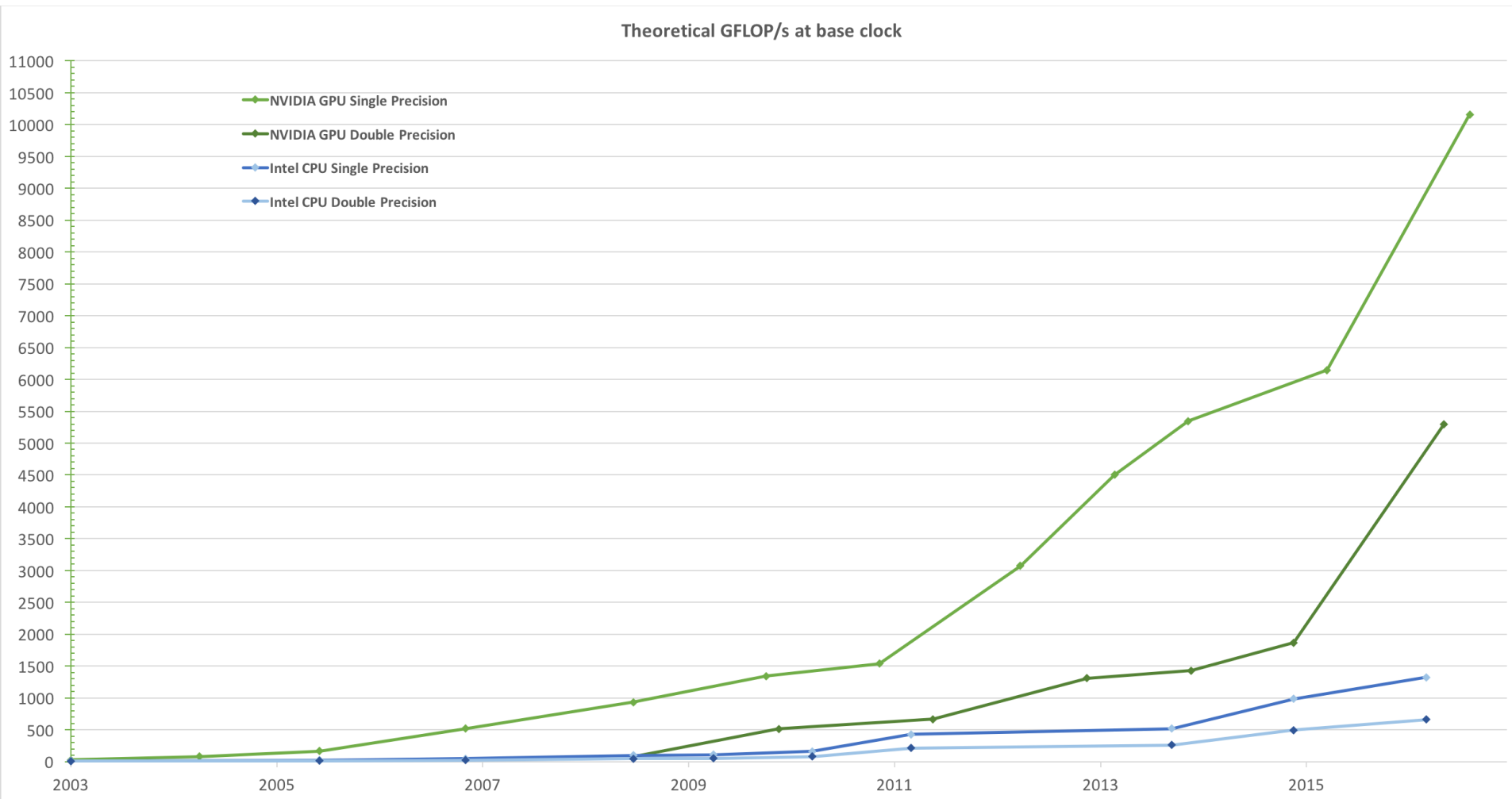
# Motivación

# Motivación

- **Utilización de hardware secundario para acelerar cómputos.**
- **Usar la tarjeta gráfica (GPU) para resolver problemas de propósito general (GPGPU).**
- **Se sustenta en el fuerte desarrollo tecnológico de las GPUs debido a la gran presión de la industria de los videojuegos.**
- **Surgimiento de lenguajes de programación de propósito general para programar las GPUs como CUDA y OpenCL.**

# Motivación

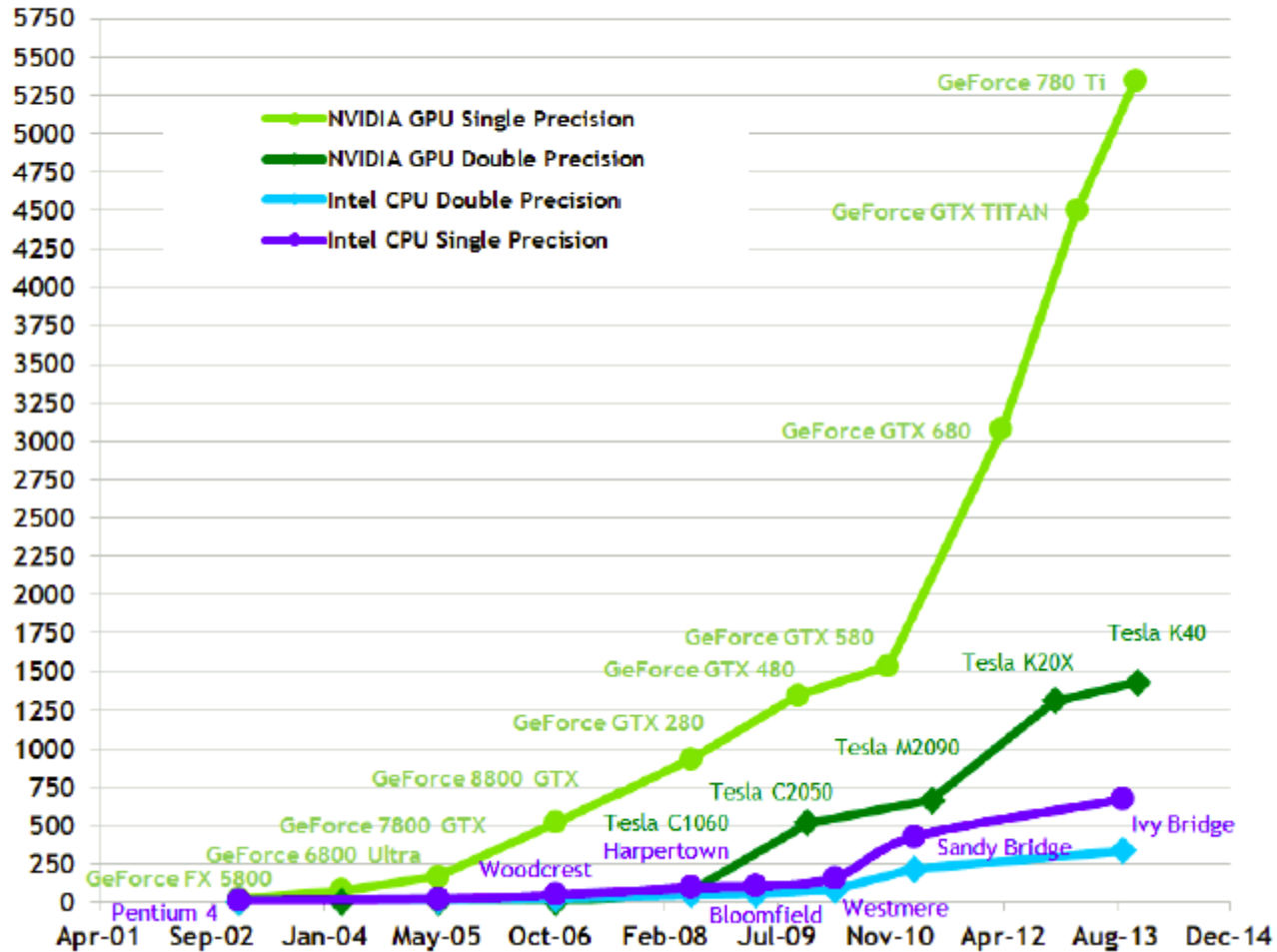
## Incremento significativo del poder de cómputo de las GPUs.



# Motivación

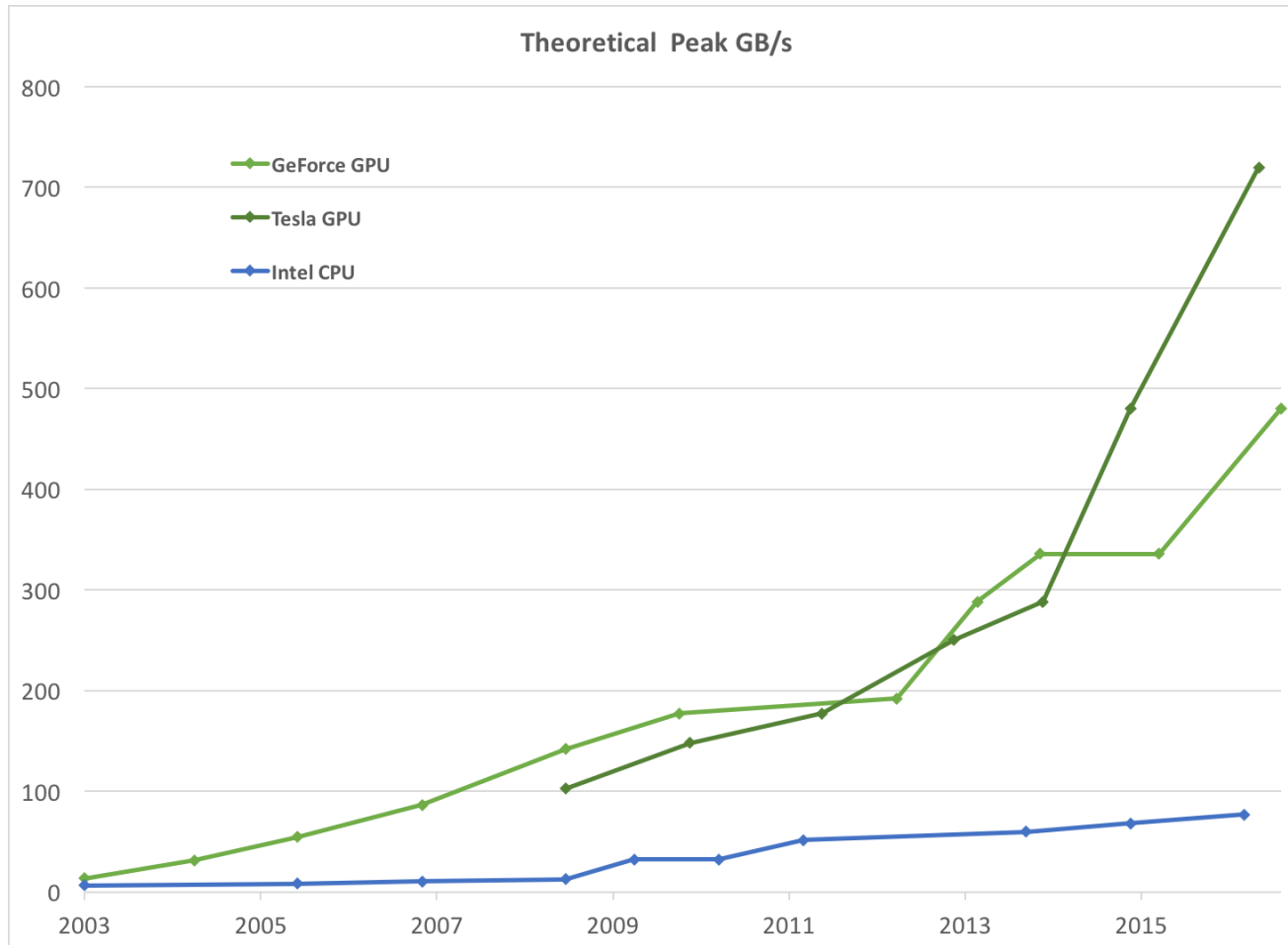
Incremento significativo del poder de cómputo de las GPUs.

Theoretical GFLOP/s



# Motivación

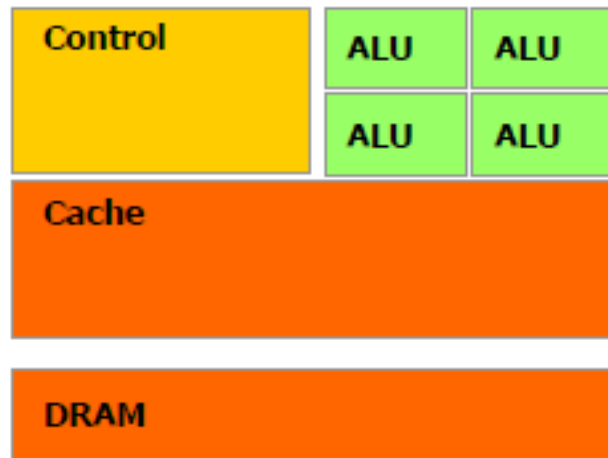
## Incremento significativo en el ancho de banda de acceso a memoria



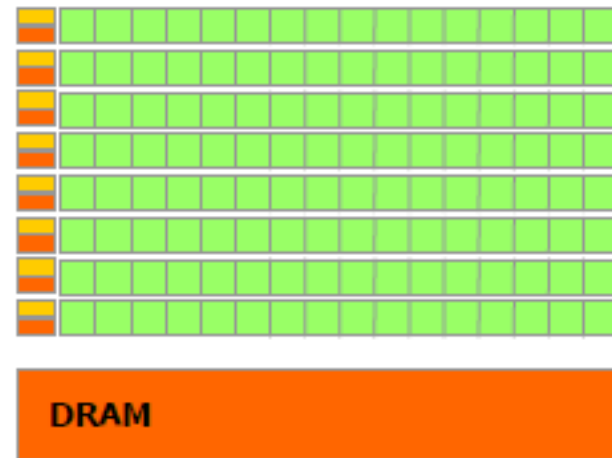


# Motivación

## Arquitectura intrínsecamente paralela (multiprocesadores)



**CPU**

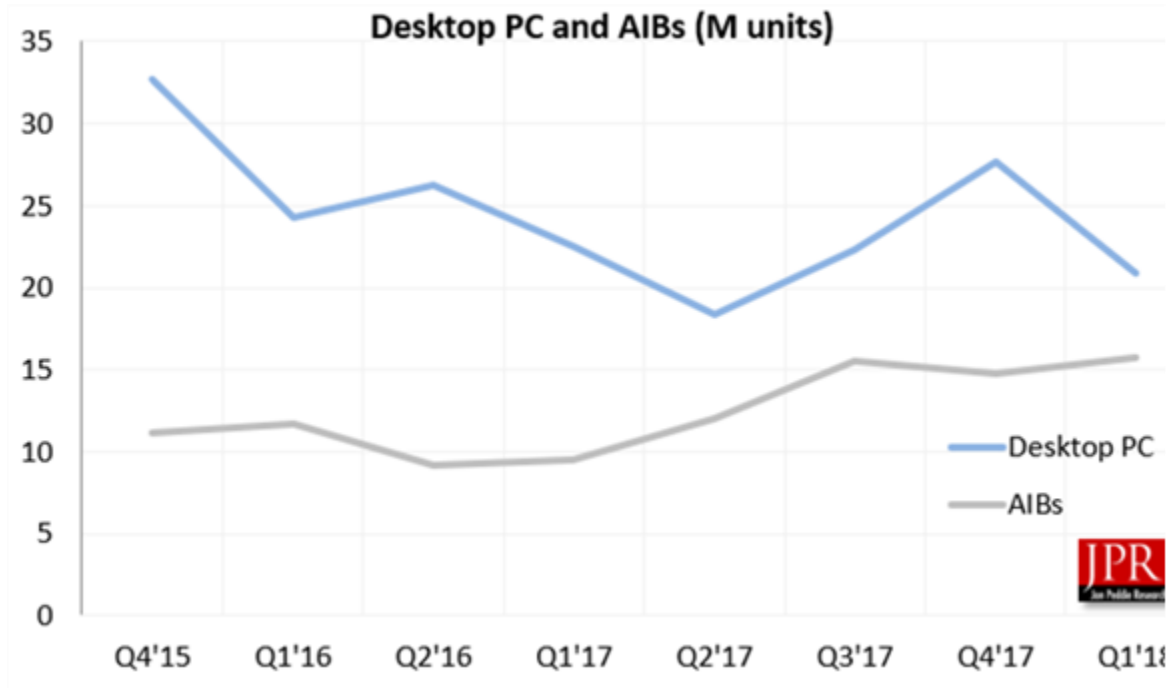


**GPU**

# Motivación

- **Es una plataforma ampliamente disponible.**
- **En 2009, 180 millones de GPUs que soportan CUDA (de acuerdo a Luebke de Nvidia).**
- **Hoy en día, una gran cantidad de laptops y desktops tienen disponible una GPU de Nvidia o AMD.**
- **Los celulares y tablets tiene disponibles GPUs (si bien no son exactamente iguales).**
- **Representan una tecnología que puede incorporarse tanto a un laptop como a una supercomputadora.**

# Motivación



GPU supplier	Market share this quarter	Market share last quarter	Market share last year
AMD	34.9%	33.7%	27.5%
Nvidia	65.1%	66.3%	72.5%
Total	100%	100%	100%

# Motivación

- **Es una tecnología barata.**
- **Tesla P100 (Q2 2016):**
  - **Costo aproximado U\$S 5900 y U\$S 6600 en Amazon.com**
  - **Tiene 3584 CUDA cores**
  - **Pico de performance en half precision 18.7 TFlops**
  - **Pico de performance en simple precisión 9.3 TFlops**
  - **Pico de performance en doble precisión 4.7 Tflops**
  - **37.36 Gflops/W en simple**
  - **Ancho de banda de memoria de la GPU 720 GB/s**

# Motivación

- **Es una tecnología barata.**
- **Tesla V100 (Q2 2017):**
  - **Costo aproximado U\$S 6600 y U\$S 7900 en Amazon.com**
  - **Tiene 5120 CUDA cores**
  - **Pico de performance en half precision 28 Tflops**
  - **Pico de performance Tensor 112 Tflops**
  - **Pico de performance en simple precisión 14 TFlops**
  - **Pico de performance en doble precisión 7 Tflops**
  - **46.67 Gflops/W en simple**
  - **Ancho de banda de memoria de la GPU 900 GB/s**

# Motivación

- **Es una tecnología barata.**
- **GeForce GTX 1080 Ti (Q1 2017):**
  - **Costo aproximado U\$S 800 en Amazon.com**
  - **Tiene 3584 CUDA cores**
  - **Pico de performance en half precision 166 Gflops (1/64 de simple)**
  - **Pico de performance en simple precisión 10.6 TFlops**
  - **Pico de performance en doble precisión 332 Gflops (1/32 de simple)**
  - **42.4 Gflops/W en simple**
  - **Ancho de banda de memoria de la GPU 484 GB/s**

# Motivación

**"Las GPUs han evolucionado hasta un punto en que muchas de las aplicaciones industriales actuales se ejecutan en ellas con niveles de rendimiento muy superiores a los que ofrecerían si se ejecutasen en sistemas multinúcleo. Las arquitecturas informáticas del futuro serán sistemas híbridos con GPUs compuestas por núcleos de procesamiento paralelo que trabajarán en colaboración con las CPUs multinúcleo".**

**Prof. Jack Dongarra**

**Director del Innovative Computing Laboratory**

**Universidad de Tennessee**

# Motivación

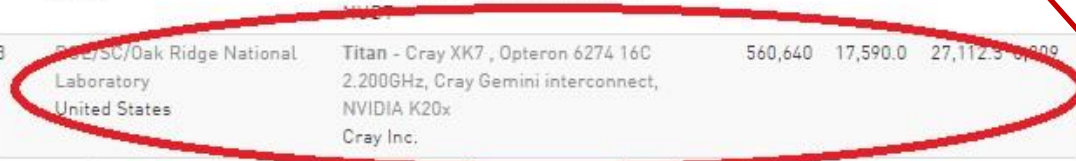
- **Existe una apuesta fuerte de Nvidia por la adopción de GPUs para la computación de alta performance.**
- **Cientos de instituciones educativas enseñando GPGPU.**
- **Desarrollo de una comunidad científica y conferencias.**
- **Top 500:**
  - **Las 500 computadoras más poderosas del mundo.**
  - **<http://www.top500.org/>**
  - **Revisemos los 10 primeros puestos**



# Motivación

Top 500  
Junio 2016

Rank	Site	System	Cores	Rmax (TFlop/s)	Rpeak (TFlop/s)	Power (kW)
1	National Supercomputing Center in Wuxi China	Sunway TaihuLight - Sunway MPP, Sunway SW26010 260C 1.45GHz, Sunway NRPC	10,649,600	93,014.6	125,435.9	15,371
2	National Super Computer Center in Guangzhou China	Tianhe-2 (MilkyWay-2) - TH-IVB-FEP Cluster, Intel Xeon E5-2692 12C 2.200GHz, TH Express-2, Intel Xeon Phi 31S1P	3,120,000	33,862.7	54,902.4	17,808
3	DOE/SC/Oak Ridge National Laboratory United States	Titan - Cray XK7, Opteron 6274 16C 2.200GHz, Cray Gemini interconnect, NVIDIA K20x Cray Inc.	560,640	17,590.0	27,112.3	6,909
4	DOE/NNSA/LLNL United States	Sequoia - BlueGene/d, Power BQC 16C 1.60 GHz, Custom IBM	1,572,864	17,173.2	20,132.7	7,890
5	RIKEN Advanced Institute for Computational Science (AICS) Japan	K computer, SPARC64 VIIIfx 2.0GHz, Tofu interconnect Fujitsu	705,024	10,510.0	11,280.4	12,660
6	DOE/SC/Argonne National Laboratory United States	Mira - BlueGene/Q, Power BQC 16C 1.60GHz, Custom IBM	786,432	8,586.6	10,066.3	3,945
7	DOE/NNSA/LANL/SNL United States	Trinity - Cray XC40, Xeon E5-2698v3 16C 2.3GHz, Aries 20x Cray Inc.	301,056	8,100.9	11,078.9	
8	Swiss National Supercomputing Centre (CSCS) Switzerland	Piz Daint - Cray XC30, Xeon E5-2670 8C 2.600GHz, Aries interconnect, NVIDIA K20x Cray Inc.	115,984	6,271.0	7,788.9	2,325
9	HLRS - Höchstleistungsrechenzentrum Stuttgart Germany	Hazel Hen - Cray XC40, Xeon E5-2680v3 12C 2.5GHz, Aries interconnect Cray Inc.	185,088	5,846.2	7,403.5	
10	King Abdullah University of Science and Technology Saudi Arabia	Shaheen II - Cray XC40, Xeon E5-2698v3 16C 2.3GHz, Aries interconnect Cray Inc.	196,608	5,537.0	7,235.2	2,834



# Motivación

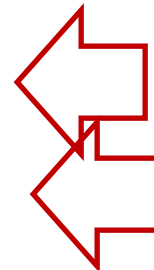
Rank	System	Cores	Rmax (TFlop/s)	Rpeak (TFlop/s)	Power (kW)
1	<b>Sunway TaihuLight</b> - Sunway MPP, Sunway SW26010 260C 1.45GHz, Sunway , NRCPC National Supercomputing Center in Wuxi China	10,649,600	93,014.6	125,435.9	15,371
2	<b>Tianhe-2 (MilkyWay-2)</b> - TH-IVB-FEP Cluster, Intel Xeon E5-2692 12C 2.200GHz, TH Express-2, Intel Xeon Phi 31S1P , NUDT National Super Computer Center in Guangzhou China	3,120,000	33,862.7	54,902.4	17,808
3	<b>Miz Daint</b> - Cray XC50, Xeon E5-2690v3 12C 2.6GHz, Aries interconnect , NVIDIA Tesla P100 , Cray Inc. Swiss National Supercomputing Centre (CSCS) Switzerland	361,760	19,590.0	25,326.3	2,272
4	<b>Titan</b> - Cray XK7, Opteron 6274 16C 2.200GHz, Cray Gemini interconnect , NVIDIA K20x , Cray Inc. DOE/SC/Oak Ridge National Laboratory United States	560,640	17,590.0	27,112.5	8,209
5	<b>Sequoia</b> - BlueGene/Q, Power BQC 16C 1.60 GHz, Custom , IBM DOE/NNSA/LLNL United States	1,572,864	17,173.2	20,132.7	7,890
6	<b>Cori</b> - Cray XC40, Intel Xeon Phi 7250 68C 1.4GHz, Aries interconnect , Cray Inc. DOE/SC/LBNL/NERSC United States	622,336	14,014.7	27,880.7	3,939
7	<b>Oakforest-PACS</b> - PRIMERGY CX1640 M1, Intel Xeon Phi 7250 68C 1.4GHz, Intel Omni-Path , Fujitsu Joint Center for Advanced High Performance Computing Japan	556,104	13,554.6	24,913.5	2,719
8	<b>K computer</b> , SPARC64 VIIIfx 2.0GHz, Tofu interconnect , Fujitsu RIKEN Advanced Institute for Computational Science (AICS) Japan	705,024	10,510.0	11,280.4	12,660
9	<b>Mira</b> - BlueGene/Q, Power BQC 16C 1.60GHz, Custom , IBM DOE/SC/Argonne National Laboratory United States	786,432	8,586.6	10,066.3	3,945
10	<b>Trinity</b> - Cray XC40, Xeon E5-2698v3 16C 2.3GHz, Aries interconnect , Cray Inc. DOE/NNSA/LANL/SNL United States	301,056	8,100.9	11,078.9	4,233

Top 500  
Junio 2017

# Motivación

Top 500  
Junio 2018

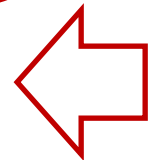
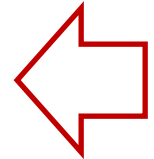
Rank	System	Cores	Rmax (TFlop/s)	Rpeak (TFlop/s)	Power (kW)
1	Summit - IBM Power System AC922, IBM POWER9 22C 3.07GHz, NVIDIA Volta GV100, Dual-rail Mellanox EDR Infiniband , IBM DOE/SC/Oak Ridge National Laboratory United States	2,282,544	122,300.0	187,659.3	8,000
2	Sunway TaihuLight - Sunway MPP, Sunway SW26010 260C 1.45GHz, Sunway , NRCPC National Supercomputing Center in Wuxi China	10,649,600	93,014.6	125,435.9	15,371
3	Sierra - IBM Power System S922LC, IBM POWER9 22C 3.1GHz, NVIDIA Volta GV100, Dual-rail Mellanox EDR Infiniband , IBM DOE/NNSA/LLNL United States	1,572,480	71,610.0	119,193.6	
4	Tianhe-2A - TH-IVB-FEP Cluster, Intel Xeon E5-2692v2 12C 2.2GHz, TH Express-2, Matrix-2000 , NUDT National Super Computer Center in Guangzhou China	4,981,760	61,444.5	100,678.7	18,482
5	AI Bridging Cloud Infrastructure (ABCI) - PRIMERGY CX2550 M4, Xeon Gold 6148 20C 2.4GHz, NVIDIA Tesla V100 SXM2, Infiniband EDR , Fujitsu National Institute of Advanced Industrial Science and Technology (AIST) Japan	391,680	19,880.0	32,576.6	1,649
6	Piz Daint - Cray XC50, Xeon E5-2690v3 12C 2.6GHz, Aries interconnect , NVIDIA Tesla P100 , Cray Inc. Swiss National Supercomputing Centre (CSCS) Switzerland	361,760	19,590.0	25,326.3	2,272
7	Titan - Cray XK7, Opteron 6274 16C 2.200GHz, Cray Gemini interconnect, NVIDIA K20x , Cray Inc. DOE/SC/Oak Ridge National Laboratory United States	560,640	17,590.0	27,112.5	6,209
8	Sequoia - BlueGene/Q, Power BQC 16C 1.60 GHz, Custom , IBM DOE/NNSA/LLNL United States	1,572,864	17,173.2	20,132.7	7,890
9	Trinity - Cray XC40, Intel Xeon Phi 7250 68C 1.4GHz, Aries interconnect , Cray Inc. DOE/NNSA/LANL/SNL United States	979,968	14,137.3	43,902.6	3,844
10	Cori - Cray XC40, Intel Xeon Phi 7250 68C 1.4GHz, Aries interconnect , Cray Inc. DOE/SC/LBNL/NERSC United States	622,336	14,014.7	27,880.7	3,939



# Motivación

Top 500  
Junio 2019

Rank	System	Cores	Rmax (TFlop/s)	Rpeak (TFlop/s)	Power (kW)
1	Summit - IBM Power System AC922, IBM POWER9 22C 3.07GHz, NVIDIA Volta GV100, Dual-rail Mellanox EDR Infiniband , IBM DOE/SC/Dak Ridge National Laboratory United States	2,414,592	148,600.0	200,794.9	10,098
2	Sierra - IBM Power System AC922, IBM POWER9 22C 3.1GHz, NVIDIA Volta GV100, Dual-rail Mellanox EDR Infiniband , IBM / NVIDIA / Mellanox DOE/NNSA/LLNL United States	1,872,480	94,640.0	125,712.0	7,438
3	Sunway TaihuLight - Sunway MPP, Sunway SW26010 260C 1.45GHz, Sunway , NRCPC National Supercomputing Center in Wuxi China	10,649,600	93,014.6	125,435.9	15,371
4	Tianhe-2A - TH-IVB-FEP Cluster, Intel Xeon E5-2692v2 12C 2.2GHz, TH Express-2, Matrix-2000 , NUDT National Super Computer Center in Guangzhou China	4,981,760	61,444.5	100,678.7	18,482
5	Frontier - Dell C6420, Xeon Platinum 8280 28C 2.7GHz, Mellanox InfiniBand HDR , Dell EMC Texas Advanced Computing Center/Univ. of Texas United States	448,448	23,516.4	38,745.9	
6	Dig Simit - Cray XC50, Xeon E5-2690v3 12C 2.6GHz, Aries interconnect , NVIDIA Tesla P100 , Cray/HPE Swiss National Supercomputing Centre (CSOS) Switzerland	387,872	21,230.0	27,154.3	2,384
7	Trinity - Cray XC40, Xeon E5-2698v3 16C 2.3GHz, Intel Xeon Phi 7250 68C 1.4GHz, Aries interconnect , Cray/HPE DOE/NNSA/LANL/SNL United States	979,072	20,158.7	41,461.2	7,578
8	AI Bridging Cloud Infrastructure (ABCI) - PRIMERGY CX2570 M4, Xeon Gold 6148 20C 2.4GHz, NVIDIA Tesla V100 SXM2, Infiniband EDR , Fujitsu National Institute of Advanced Industrial Science and Technology (AIST) Japan	391,680	19,880.0	32,576.8	1,847
9	SuperMUC-NG - ThinkSystem SD650, Xeon Platinum 8174 24C 3.1GHz, Intel Omni-Path , Lenovo Leibniz Rechenzentrum Germany	305,856	19,476.6	26,873.9	
10	Lawson - IBM Power System AC922, IBM POWER9 22C 3.1GHz, Dual-rail Mellanox EDR Infiniband, NVIDIA Tesla V100 , IBM / NVIDIA / Mellanox DOE/NNSA/LLNL United States	288,288	18,200.0	23,047.2	



# Motivación

1	Supercomputer Fugaku - Supercomputer Fugaku, A64FX 48C 2.2GHz, Tofu interconnect D, Fujitsu RIKEN Center for Computational Science Japan	7,299,072	415,530.0	513,854.7	28,335
2	Summit - IBM Power System AC922, IBM POWER9 22C 3.07GHz, NVIDIA Volta GV100, Dual-rail Mellanox EDR Infiniband, IBM DOE/SC/Oak Ridge National Laboratory United States	2,414,592	148,600.0	200,794.9	10,076
3	Sierra - IBM Power System AC922, IBM POWER9 22C 3.1GHz, NVIDIA Volta GV100, Dual-rail Mellanox EDR Infiniband, IBM / NVIDIA / Mellanox DOE/NNSA/LLNL United States	1,572,480	94,640.0	125,712.0	7,438
4	Sunway TaihuLight - Sunway MPP, Sunway SW26010 260C 1.45GHz, Sunway, NRCPC National Supercomputing Center in Wuxi China	10,649,600	93,014.6	125,435.9	15,371
5	Tianhe-2A - TH-IVB-FEP Cluster, Intel Xeon E5-2692v2 12C 2.2GHz, TH Express-2, Matrix-2000, NUDT National Super Computer Center in Guangzhou China	4,981,760	61,444.5	100,678.7	18,482
6	HPC5 - PowerEdge C4140, Xeon Gold 6252 24C 2.1GHz, NVIDIA Tesla V100, Mellanox HDR Infiniband, Dell EMC Eni S.p.A. Italy	669,760	35,450.0	51,720.8	2,252
7	Setene - DGX A100 SuperPOD, AMD EPYC 7742 64C 2.25GHz, NVIDIA A100, Mellanox HDR Infiniband, Nvidia NVIDIA Corporation United States	277,760	27,580.0	34,566.6	1,344
8	Frontera - Dell C6420, Xeon Platinum 8280 28C 2.7GHz, Mellanox InfiniBand HDR, Dell EMC Texas Advanced Computing Center/Univ. of Texas United States	448,448	23,516.4	38,745.9	
9	Marconi-100 - IBM Power System AC922, IBM POWER9 16C 3GHz, Nvidia Volta V100, Dual-rail Mellanox EDR Infiniband, IBM CINECA Italy	347,776	21,640.0	29,354.0	1,476
10	Piz Daint - Cray XC50, Xeon E5-2690v3 12C 2.6GHz, Aries interconnect, NVIDIA Tesla P100, Cray/HPE Swiss National Supercomputing Centre (CSOS) Switzerland	387,872	21,230.0	27,154.3	2,384



Top 500  
Junio 2020

<https://www.top500.org/lists/top500/2020/06/>

# Motivación

Top 500  
Junio 2021

Rank	System	Cores	(TFlop/s)	(TFlop/s)	(kW)
1	<b>Supercomputer Fugaku</b> - Supercomputer Fugaku, A64FX 48C 2.2GHz, Tofu interconnect D, Fujitsu RIKEN Center for Computational Science Japan	7,630,848	442,010.0	537,212.0	29,899
2	<b>Summit</b> - IBM Power System AC922, IBM POWER9 22C 3.07GHz, NVIDIA Volta GV100, Dual-rail Mellanox EDR Infiniband, IBM DOE/SC/Oak Ridge National Laboratory United States	2,414,592	148,600.0	200,794.9	10,096
3	<b>Sierra</b> - IBM Power System AC922, IBM POWER9 22C 3.1GHz, NVIDIA Volta GV100, Dual-rail Mellanox EDR Infiniband, IBM / NVIDIA / Mellanox DOE/NNSA/LLNL United States	1,572,480	94,640.0	125,712.0	7,438
4	<b>Sunway TaihuLight</b> - Sunway MPP, Sunway SW26010 260C 1.45GHz, Sunway, NRCPC National Supercomputing Center in Wuxi China	10,649,600	93,014.6	125,435.9	15,371
5	<b>Perlmutter</b> - HPE Cray EX235n, AMD EPYC 7763 64C 2.45GHz, NVIDIA A100 SXM4 40 GB, Slingshot-10, HPE DOE/SC/LBNL/NERSC United States	706,304	64,590.0	89,794.5	2,528



<https://www.top500.org/lists/top500/2021/06/>

# Motivación

Top 500  
Junio 2021

6	<b>Selene</b> - NVIDIA DGX A100, AMD EPYC 7742 64C 2.25GHz, NVIDIA A100, Mellanox HDR Infiniband, Nvidia NVIDIA Corporation United States	555,520	63,460.0	79,215.0	2,646
7	<b>Tianhe-2A</b> - TH-IVB-FEP Cluster, Intel Xeon E5-2692v2 12C 2.2GHz, TH Express-2, Matrix-2000, NUDT National Super Computer Center in Guangzhou China	4,981,760	61,444.5	100,678.7	18,482
8	<b>JUWELS Booster Module</b> - Bull Sequana XH2000 , AMD EPYC 7402 24C 2.8GHz, NVIDIA A100, Mellanox HDR InfiniBand/ParTec ParaStation ClusterSuite, Atos Forschungszentrum Juelich (FZJ) Germany	449,280	44,120.0	70,980.0	1,764
9	<b>HPC5</b> - PowerEdge C4140, Xeon Gold 6252 24C 2.1GHz, NVIDIA Tesla V100, Mellanox HDR Infiniband, DELL EMC Eni S.p.A. Italy	669,760	35,450.0	51,720.8	2,252
10	<b>Frontera</b> - Dell C6420, Xeon Platinum 8280 28C 2.7GHz, Mellanox InfiniBand HDR, DELL EMC Texas Advanced Computing Center/Univ. of Texas United States	448,448	23,516.4	38,745.9	

<https://www.top500.org/lists/top500/2021/06/>

# Motivación

Top 500  
Junio 2022

Rank	System	Cores	Rmax (PFlop/s)	Rpeak (PFlop/s)	Power (kW)
1	<b>Frontier</b> - HPE Cray EX235a, AMD Optimized 3rd Generation EPYC 64C 2GHz, AMD Instinct MI250X, Slingshot-11, HPE DOE/SC/Oak Ridge National Laboratory United States	8,730,112	1,102.00	1,685.65	21,100
2	<b>Supercomputer Fugaku</b> - Supercomputer Fugaku, A64FX 48C 2.2GHz, Tofu interconnect D, Fujitsu RIKEN Center for Computational Science Japan	7,630,848	442.01	537.21	29,899
3	<b>LUMI</b> - HPE Cray EX235a, AMD Optimized 3rd Generation EPYC 64C 2GHz, AMD Instinct MI250X, Slingshot-11, HPE EuroHPC/CSC Finland	1,110,144	151.90	214.35	2,942
4	<b>Summit</b> - IBM Power System AC922, IBM POWER9 22C 3.07GHz, NVIDIA Volta GV100, Dual-rail Mellanox EDR Infiniband, IBM DOE/SC/Oak Ridge National Laboratory United States	2,414,592	148.60	200.79	10,096
5	<b>Sierra</b> - IBM Power System AC922, IBM POWER9 22C 3.1GHz, NVIDIA Volta GV100, Dual-rail Mellanox EDR Infiniband, IBM / NVIDIA / Mellanox DOE/NNSA/LLNL United States	1,572,480	94.64	125.71	7,438

<https://www.top500.org/lists/top500/2022/06/>



# Motivación

## Top 500 Junio 2022

6	<b>Sunway TaihuLight</b> - Sunway MPP, Sunway SW26010 260C 1.45GHz, Sunway, NRCPC National Supercomputing Center in Wuxi China	10,649,600	93.01	125.44	15,371
7	<b>Perlmutter</b> - HPE Cray EX235n, AMD EPYC 7763 64C 2.45GHz, NVIDIA A100 SXM4 40 GB, Slingshot-10, HPE DOE/SC/LBNL/NERSC United States	761,856	70.87	93.75	2,387
8	<b>Selene</b> - NVIDIA DGX A100, AMD EPYC 7742 64C 2.25GHz, NVIDIA A100, Mellanox HDR Infiniband, Nvidia NVIDIA Corporation United States	555,520	63.46	79.22	2,446
9	<b>Tianhe-2A</b> - TH-IVB-FEP Cluster, Intel Xeon E5-2692v2 12C 2.2GHz, TH Express-2, Matrix-2000, NUDT National Super Computer Center in Guangzhou China	4,981,760	61.44	100.68	18,482
10	<b>Adastra</b> - HPE Cray EX235n, AMD Optimized 3rd Generation EPYC 64C 2GHz, AMD Instinct MI250X, Slingshot-11, HPE Grand Equipement National de Calcul Intensif - Centre Informatique National de l'Enseignement Suprieur (GENCI - CINES) France	319,072	44.10	61.61	921



<https://www.top500.org/lists/top500/2022/06/>

# Motivación

Top 500  
Junio 2023

Rank	System	Cores	Rmax (PFlop/s)	Rpeak (PFlop/s)	Power (kW)
1	<b>Frontier</b> - HPE Cray EX235a, AMD Optimized 3rd Generation EPYC 64C 2GHz, AMD Instinct MI250X, Slingshot-11, HPE DOE/SC/Oak Ridge National Laboratory United States	8,699,904	1,194.00	1,679.82	22,703
2	<b>Supercomputer Fugaku</b> - Supercomputer Fugaku, A64FX 48C 2.2GHz, Tofu interconnect D, Fujitsu RIKEN Center for Computational Science Japan	7,630,848	442.01	537.21	29,899
3	<b>LUMI</b> - HPE Cray EX235a, AMD Optimized 3rd Generation EPYC 64C 2GHz, AMD Instinct MI250X, Slingshot-11, HPE EuroHPC/CSC Finland	2,220,288	309.10	428.70	6,016
4	<b>Leonardo</b> - BullSequana XH2000, Xeon Platinum 8358 32C 2.6GHz, NVIDIA A100 SXM4 64 GB, Quad-rail NVIDIA HDR100 Infiniband, EVIDEN EuroHPC/CINECA Italy	1,824,768	238.70	304.47	7,404
5	<b>Summit</b> - IBM Power System AC922, IBM POWER9 22C 3.07GHz, NVIDIA Volta GV100, Dual-rail Mellanox EDR Infiniband, IBM DOE/SC/Oak Ridge National Laboratory United States	2,414,592	148.60	200.79	10,096

<https://www.top500.org/lists/top500/2023/06/>

# Motivación

Top 500  
Junio 2023

6	<b>Sierra</b> - IBM Power System AC922, IBM POWER9 22C 3.1GHz, NVIDIA Volta GV100, Dual-rail Mellanox EDR Infiniband, IBM / NVIDIA / Mellanox DOE/NNSA/LLNL United States	1,572,480	94.64	125.71	7,438
7	<b>Sunway TaihuLight</b> - Sunway MPP, Sunway SW26010 260C 1.45GHz, Sunway, NRCPC National Supercomputing Center in Wuxi China	10,649,600	93.01	125.44	15,371
8	<b>Perlmutter</b> - HPE Cray EX235n, AMD EPYC 7763 64C 2.45GHz, NVIDIA A100 SXM4 40 GB, Slingshot-10, HPE DOE/SC/LBNL/NERSC United States	761,856	70.87	93.75	2,599
9	<b>Selene</b> - NVIDIA DGX A100, AMD EPYC 7742 64C 2.25GHz, NVIDIA A100, Mellanox HDR Infiniband, Nvidia NVIDIA Corporation United States	555,520	63.46	79.22	2,646
10	<b>Tianhe-2A</b> - TH-IVB-FEP Cluster, Intel Xeon E5-2692v2 12C 2.2GHz, TH Express-2, Matrix-2000, NUDT National Super Computer Center in Guangzhou China	4,981,760	61.44	100.68	18,482



<https://www.top500.org/lists/top500/2023/06/>

# Motivación

- Desde la arquitectura Kepler uno de los objetivos del diseño ha sido la reducción del consumo energético.
- Se busca lograr aumentar la relación desempeño-consumo, es decir los Gflops efectivamente computados por Watt.
- **Green 500:**
  - Las 500 computadoras más eficientes energéticamente del mundo.
  - Se elabora usando las 500 computadoras que aparecen en el top 500.
  - <http://www.green500.org/>
  - Revisemos los 10 primeros puestos

# Motivación

## Green Top 500 Junio 2016

Green500 Rank	MFLOPS/W	Site*	Computer*	Total Power (kW)
1	6,673.84	Advanced Center for Computing and Communication, RIKEN	Shoubu - ZettaScaler-1.6, Xeon E5-2618Lv3 8C 2.3GHz, Infiniband FDR, PEZY-SCnp	149.99
2	6,195.22	Computational Astrophysics Laboratory, RIKEN	Satsuki - ZettaScaler-1.6, Xeon E5-2618Lv3 8C 2.3GHz, Infiniband FDR, PEZY-SCnp	46.89
3	6,051.30	National Supercomputing Center in Wuxi	Sunway TaihuLight - Sunway MPP, Sunway SW26010 260C 1.45GHz, Sunway	15,371.00
4	5,272.09	GSI Helmholtz Center	ASUS ESC4000 FDR/G2S, Intel Xeon E5-2690v2 10C 3GHz, Infiniband FDR, AMD FirePro S9150	57.15
5	4,778.46	Institute of Modern Physics (IMP), Chinese Academy of Sciences	Sugon Cluster W7801, Xeon E5-2640v3 8C 2.6GHz, Infiniband QDR, NVIDIA Tesla K80	65.00
6	4,112.11	Stanford Research Computing Center	XStream - Cray CS-Storm, Intel Xeon E5-2680v2 10C 2.8GHz, Infiniband FDR, Nvidia K80	190.00
7	3,775.45	Internet Service (B)	Inspur TS10000 HPC Server, Intel Xeon E5-2620v2 6C 2.1GHz, 10G Ethernet, NVIDIA Tesla K40	110.00
8	3,775.45	Internet Service (B)	Inspur TS10000 HPC Server, Intel Xeon E5-2620v2 6C 2.1GHz, 10G Ethernet, NVIDIA Tesla K40	110.00
9	3,775.45	Internet Service (B)	Inspur TS10000 HPC Server, Intel Xeon E5-2620v2 6C 2.1GHz, 10G Ethernet, NVIDIA Tesla K40	110.00
10	3,775.45	Internet Service (B)	Inspur TS10000 HPC Server, Intel Xeon E5-2620v2 6C 2.1GHz, 10G Ethernet, NVIDIA Tesla K40	110.00

# Motivación

TOP500			Cores	Rmax (TFlop/s)	Power (kW)	Power Efficiency (GFlops/watts)
Rank	Rank	System				
1	61	TSUBAME3.0 - SGI ICE XA, IP139-SXM2, Xeon E5-2680v4 14C 2.4GHz, Intel Omni-Path, NVIDIA Tesla P100 SXM2, HPE GSIC Center, Tokyo Institute of Technology Japan	36,288	1,988.0	142	14.110
2	485	kukai - ZettaScaler-1.6 GPGPU system, Xeon E5-2650Lv4 14C 1.7GHz, Infiniband FDR, NVIDIA Tesla P100, ExaScaler Yahoo Japan Corporation Japan	10,080	452.7	33	14.046
3	148	AIST AI Cloud - NEC 4U-8GPU Server, Xeon E5-2630Lv4 10C 1.8GHz, Infiniband EDR, NVIDIA Tesla P100 SXM2, NEC National Institute of Advanced Industrial Science and Technology Japan	23,456	961.0	76	12.681
4	305	RAIDEN GPU subsystem - NVIDIA DGX-1, Xeon E5-2698v4 20C 2.2GHz, Infiniband EDR, NVIDIA Tesla P100, Fujitsu Center for Advanced Intelligence Project, RIKEN Japan	11,712	635.1	60	10.603
5	180	Wilkes-2 - Dell C4130, Xeon E5-2650v4 12C 2.2GHz, Infiniband EDR, NVIDIA Tesla P100, Dell University of Cambridge United Kingdom	21,240	1,193.6	114	10.428
6	8	Piz Daint - Cray XC50, Xeon E5-2690v3 12C 2.6GHz, Aries interconnect, NVIDIA Tesla P100, Cray Inc. Swiss National Supercomputing Centre (CSCS) Switzerland	361,760	19,576.0	2,272	10.398
7	69	Gyokou - ZettaScaler-2.0 HPC system, Xeon D-1571 16C 1.3GHz, Infiniband EDR, PEZY-SO2, ExaScaler Japan Agency for Marine -Earth Science and Technology Japan	3,176,000	1,677.1	164	10.226
8	220	Research Computation Facility for GOSAT-2 (RCF2) - SGI Rackable C1104-GP1, Xeon E5-2650v4 12C 2.2GHz, Infiniband EDR, NVIDIA Tesla P100, NSSOL/HPE National Institute for Environmental Studies Japan	16,320	770.6	79	9.797
9	34	NVIDIA DGX-1/Penguin Relion 2904GT, Xeon E5-2698v4 20C 2.2GHz/ E5-2650v4, Mellanox Infiniband EDR, NVIDIA Tesla P100, Facebook Facebook United States	60,512	3,307.8	350	9.462
10	82	DGX Saturn V - NVIDIA DGX-1, Xeon E5-2698v4 20C 2.2GHz, Infiniband EDR, NVIDIA Tesla P100, Nvidia NVIDIA Corporation United States	60,512	3,307.8	350	9.462

Green  
Top 500  
Junio 2017

# Motivación

TOP500			Corea	Rmax (TFlop/s)	Power (kW)	Power Efficiency (GFlops/watt)
Rank	Rank	System				
1	259	<b>Shoubu system B</b> - ZettaScaler-2.2, Xeon D-1571 16C 1.3GHz, Infiniband EDR, PEZY-SC2, PEZY Computing / Exascaler Inc. Advanced Center for Computing and Communication, RIKEN Japan	794,600	857.6	67	18.606
2	419	<b>Suiren2</b> - ZettaScaler-2.2, Xeon D-1571 16C 1.3GHz, Infiniband EDR, PEZY-SC2, PEZY Computing / Exascaler Inc. High Energy Accelerator Research Organization / KEK Japan	762,636	798.0	67	16.835
3	305	<b>Sakura</b> - ZettaScaler-2.2, Xeon E5-2618Lv3 8C 2.3GHz, Infiniband EDR, PEZY-SC2, PEZY Computing / Exascaler Inc. PEZY Computing K.K. Japan	796,600	826.7	50	16.657
4	287	<b>DGX SaturnV Volta</b> - NVIDIA DGX-1 Volta36, Xeon E5-2698v4 20C 2.3GHz, Infiniband EDR, NVIDIA Tesla V100, Nvda NVIDIA Corporation United States	22,660	1,070.0	97	15.113
5	1	<b>Summit</b> - IBM Power System AC922, IBM POWER9 22C 3.07GHz, NVIDIA Volta GV100, Dual-rail Mellanox EDR Infiniband, IBM DOE/SC/Oak Ridge National Laboratory United States	2,282,564	122,300.0	14,000	13.889
6	16	<b>TSUBAME3.0</b> - SGI ICE XA, Intel Xeon, Xeon E5-2698v4 16C 2.4GHz, Intel Omni-Path, NVIDIA Tesla P100 SKM2, HPE OSIC Center, Tokyo Institute of Technology Japan	1,35,828	8,125.0	792	12.706
7	267	<b>AIST AI Cloud</b> - NEC CU-8GPU Server, Xeon E5-2630Lv4 10C 1.8GHz, Infiniband EDR, NVIDIA Tesla P100 SKM2, NEC National Institute of Advanced Industrial Science and Technology Japan	23,600	961.0	75	12.681
8	5	<b>AI Bridging Cloud Infrastructure (ABCI) - PRIMERGY CX250 M4</b> , Xeon Gold 6148 20C 2.6GHz, NVIDIA Tesla V100 SKM2, Infiniband EDR, Fujitsu National Institute of Advanced Industrial Science and Technology (AIST) Japan	291,680	19,830.0	2,669	12.056
9	256	<b>MareNostrum PP CTE</b> - IBM Power System AC922, IBM POWER9 22C 3.1GHz, Dual-rail Mellanox EDR Infiniband, NVIDIA Tesla V100, IBM Barcelona Supercomputing Center Spain	19,660	1,018.0	86	11.965
10	171	<b>RAIDEN GPU subsystem</b> - NVIDIA DGX-1 Volta36, Xeon E5-2698v4 20C 2.3GHz, Infiniband EDR, NVIDIA Tesla V100, Fujitsu Center for Advanced Intelligence Project, RIKEN Japan	25,360	1,213.0	107	11.363

Green  
Top 500  
Junio 2018

# Motivación

TOP500				Rmax	Power	Efficiency
Rank	Rank	System	Cores	(TFlops/s)	(kW)	(GFlops/watts)
1	467	DGX SaturnV Volta - NVIDIA DGX-1 Volta36, Xeon E5-2698v4 20C 2.2GHz, Infiniband EDR, NVIDIA Tesla V100 , Nvidia NVIDIA Corporation United States	22,440	1,070.0	97	15.110
2	1	Summit - IBM Power System AC922, IBM POWER9 22C 3.07GHz, NVIDIA Volta GV100, Dual-rail Mellanox EDR Infiniband , IBM DOE/SC/Oak Ridge National Laboratory United States	2,414,592	148,600.0	10,351	14.719
3	8	Managing Cloud Infrastructure (MCI) - Primera CX2570 M4, Xeon Gold 6148 20C 2.4GHz, NVIDIA Tesla V100 SXM2, Infiniband EDR , Fujitsu National Institute of Advanced Industrial Science and Technology (AIST) Japan	391,680	19,880.0	1,443	14.423
4	357	MareNostrum P9 CTE - IBM Power System AC922, IBM POWER9 22C 3.1GHz, Dual-rail Mellanox EDR Infiniband, NVIDIA Tesla V100 , IBM Barcelona Supercomputing Center Spain	18,360	1,145.0	81	14.361
5	25	TSUBAMES.0 - SGI ICE XA, IP139-SXM2, Xeon E5-2680v4 14C 2.4GHz, Intel Omni-Path, NVIDIA Tesla P100 SXM2 , HPE GSIC Center, Tokyo Institute of Technology Japan	135,828	8,125.0	752	13.704
6	11	DRAGON - IBM Power System AC922, IBM POWER9 18C 3.45GHz, Dual-rail Mellanox EDR Infiniband, NVIDIA Volta GV100 , IBM Total Exploration Production France	291,004	15,880.0	1,367	13.065
7	3	Sierra - IBM Power System AC922, IBM POWER9 22C 3.1GHz, NVIDIA Volta GV100, Dual-rail Mellanox EDR Infiniband , IBM / NVIDIA / Mellanox DOE/NNSA/LLNL United States	1,972,480	94,640.0	7,438	12.985
8	43	Advanced Computing System(PreE) - Sugon TC8600, Hygon Dhyana 32C 2GHz, Deep Computing Processor, 200Gb 6D-Torus , Sugon Sugon China	163,840	4,325.0	380	11.382
9	23	Taiwan 2 - QCT QuantaGrid D52G-4U/LC, Xeon Gold 6154 18C 3GHz, Mellanox InfiniBand EDR, NVIDIA Tesla V100 SXM2 , Quanta Computer / Taiwan Fixed Network / ASUS Cloud National Center for High Performance Computing Taiwan	170,352	9,000.0	758	11.285
10	365	Huawei G5500, Xeon E5-2650v4 12C 2.2GHz, NVIDIA Tesla V100, 100G Ethernet , Huawei Technologies Co., Ltd. Telecom Company China	23,904	1,154.8	107	10.778

Green  
Top 500  
Junio 2019



# Motivación

Rank	Rank	System	Cores	(TFlop/s)	(kW)	(GFlop/watts)
1	393	<b>MN-3</b> - MN-Core Server, Xeon E260M 26C 2.4GHz, MN-Core, RoCEv2/MN-Core DirectConnect, Preferred Networks Preferred Networks Japan	2,080	1,421.1	77	21.108
2	7	<b>Selene</b> - DGR A100 SuperPOD, AMD EPYC 7742 64C 2.25GHz, NVIDIA A100, Mellanox HDR Infiniband, Nvidia NVIDIA Corporation United States	277,760	27,580.0	1,366	20.210
3	668	<b>NA-1</b> - ZettaScaler-2.2, Xeon D-1501 16C 1.3GHz, Infiniband EDR, PEZY-SC2 700Mhz, PEZY Computing / Exascale Inc. PEZY Computing K.K. Japan	1,271,056	1,303.2	80	18.423
4	205	<b>A64FX prototype</b> - Fujitsu A64FX, Fujitsu A64FX 68C 2GHz, Toho interconnect D, Fujitsu Fujitsu Numazu Plant Japan	38,864	1,999.5	118	16.876
5	26	<b>AIMDS</b> - IBM Power System AC922, IBM POWER9 20C 3.45GHz, NVIDIA Volta GV100, Dual-rail Mellanox EDR Infiniband, IBM Hitachi Polytechnic Institute Center for Computational Innovations (CCI)	130,000	8,339.0	512	16.285
6	6	<b>HPC3</b> - PowerEdge C6140, Xeon Gold 6252 26C 2.1GHz, NVIDIA Tesla V100, Mellanox HDR Infiniband, Dell EMC Evi S.p.A.	669,760	26,650.0	2,252	15.768
7	121	<b>Satori</b> - IBM Power System AC922, IBM POWER9 20C 2.4GHz, Infiniband EDR, NVIDIA Tesla V100 SKM2, IBM MIT/MDHPCC Holyoke, MA United States	23,000	1,466.0	96	15.576
8	2	<b>Summit</b> - IBM Power System AC922, IBM POWER9 22C 3.07GHz, NVIDIA Volta GV100, Dual-rail Mellanox EDR Infiniband, IBM DOE/SC/Oak Ridge National Laboratory United States	2,614,592	168,600.0	10,096	14.719
9	1	<b>Supercomputer Fugaku</b> - Supercomputer Fugaku, A64FX 68C 2.2GHz, Toho interconnect D, Fujitsu RIKEN Center for Computational Science Japan	7,299,072	615,530.0	28,205	14.665
10	5	<b>Marcus-100</b> - IBM Power System AC922, IBM POWER9 16C 3GHz, Nvidia Volta V100, Dual-rail Mellanox EDR Infiniband, IBM CINECA Italy	367,776	21,660.0	1,676	14.661

Green  
Top 500  
Junio 2020

<https://www.top500.org/lists/green500/2020/06/>

# Motivación

335

Rank	TOP500 Rank	System	Cores	Rmax (TFlops)	Power (kW)	Power Efficiency (GFlops/watt)
1	335	<b>MN-3</b> - MN-Core Server, Roon Platinum 8360M 2x2 2.6GHz, Preferred Networks MN-Core, MN-Core DirectConnect, Preferred Networks Preferred Networks	1,664	1,822.4	61	29.700
2	22	<b>HiPerGator AI</b> - NVIDIA DGX A100, AMD EPYC 7763 64C 2.25GHz, NVIDIA A100, InfiniBand HDR, Nvidia University of Florida United States	138,880	17,200.0	583	29.521
3	100	<b>Wrikea-3</b> - PowerEdge XE8545, AMD EPYC 7763 64C 2.45GHz, NVIDIA A100 80GB, InfiniBand HDR200 dual rail, DELL EMC University of Cambridge United Kingdom	64,800	4,124.0	147	28.144
4	35	<b>MeloXino - Accelerator Module</b> - BullSequana XH2000, AMD EPYC 7452 32C 2.35GHz, NVIDIA A100 60GB, Mellanox HDR InfiniBand/Partec ParaStation Rheinholdt, Atos Luxembourg Luxembourg	99,200	10,520.0	390	26.957
5	214	<b>NVIDIA DGX SuperPOD</b> - NVIDIA DGX A100, AMD EPYC 7763 64C 2.25GHz, NVIDIA A100, Mellanox HDR InfiniBand, Nvidia NVIDIA Corporation United States	19,840	2,356.0	90	26.195
6	5	<b>Perlmutter</b> - HPE Cray EK23n, AMD EPYC 7763 64C 2.45GHz, NVIDIA A100 SXM4 48 GB, Sangha-10, HPE ODF/SC/IBN/NEOS United States	704,384	64,970.0	2,528	25.550
7	8	<b>JUWELS Booster Module</b> - Bull Sequana XH2000, AMD EPYC 7602 24C 2.8GHz, NVIDIA A100, Mellanox HDR InfiniBand/Partec ParaStation Rheinholdt, Atos Germany Forschungszentrum Juelich (FZJ)	649,280	64,120.0	1,764	25.038
8	43	<b>JURECA Data Center Module</b> - BullSequana XH2000, AMD EPYC 7763 64C 2.25GHz, NVIDIA A100 60GB, Mellanox HDR InfiniBand/Partec ParaStation United States Forschungszentrum Juelich (FZJ) Germany	105,840	9,320.0	366	24.291
9	159	<b>Spartan2</b> - Bull Sequana XH2000, AMD EPYC 7602 24C 2.8GHz, NVIDIA A100, Mellanox HDR InfiniBand, Atos Atos France	23,040	2,568.0	106	24.262
10	10	<b>Wisteria/BOEC-01 (Agouti)</b> - PRIMEFY DGX2/0 HA, Roon Platinum 8360Y 3x2 2.4GHz, NVIDIA A100 SXM4 48 GB, InfiniBand HDR, Fujitsu Information Technology Center, The University of Tokyo Japan	42,120	4,425.0	184	24.058

Green  
Top 500  
Junio 2021

<https://www.top500.org/lists/green500/2021/06/>

# Motivación

Rank	TOP500 Rank	System	Cores	Rmax (PFlop/s)	Power (kW)	Energy Efficiency (GFlops/watts)
1	27	Frontier TDS - HPE Cray EX235a, AMD Optimized 3rd Generation EPYC 64C 2GHz, AMD Instinct MI250X, Slingshot-11, HPE DOE/SC/Oak Ridge National Laboratory United States	120,832	19.20	307	62.684
2	1	Frontier - HPE Cray EX235a, AMD Optimized 3rd Generation EPYC 64C 2GHz, AMD Instinct MI250X, Slingshot-11, HPE DOE/SC/Oak Ridge National Laboratory United States	8,730,112	1,102.00	21,100	52.227
3	3	LUMI - HPE Cray EX235a, AMD Optimized 3rd Generation EPYC 64C 2GHz, AMD Instinct MI250X, Slingshot-11, HPE EuroHPC/CSC Finland	1,110,144	151.90	2,942	51.629
4	10	Adastra - HPE Cray EX235a, AMD Optimized 3rd Generation EPYC 64C 2GHz, AMD Instinct MI250X, Slingshot-11, HPE Grand Equipement National de Calcul Intensif - Centre Informatique National de l'Enseignement Supérieur (GENCI-CINES) France	319,072	46.10	721	50.028
5	146	ATOS THX.A.B - BullSequana XH2000, Xeon Platinum 8358 32C 2.6GHz, NVIDIA A100 64GB, Infiniband HDR, Atos Atos France	25,056	3.50	86	41.211

Green  
Top 500  
Junio 2022

<https://www.top500.org/lists/green500/2022/06/>

# Motivación

6	326	MN-3 - MN-Core Server, Xeon Platinum 8260M 24C 2.4GHz, Preferred Networks MN-Core, MN-Core DirectConnect, Preferred Networks Preferred Networks Japan	1,664	2.18	53	40.901
7	315	SSC-21 Scalable Module - Apollo 6500 Gen10 plus, AMD EPYC 7543 32C 2.8GHz, NVIDIA A100 80GB, Infiniband HDR200, HPE Samsung Electronics South Korea	16,704	2.27	105	33.983
8	319	Tethys - NVIDIA DGX A100 Liquid Cooled Prototype, AMD EPYC 7742 64C 2.25GHz, NVIDIA A100 80GB, Infiniband HDR, Nvidia NVIDIA Corporation United States	19,840	2.25	72	31.538
9	304	Wilkes-3 - PowerEdge XE6645, AMD EPYC 7763 64C 2.45GHz, NVIDIA A100 80GB, Infiniband HDR200 dual rail, DELL EMC University of Cambridge United Kingdom	26,880	2.29	74	30.797
10	105	Athena - FormatServer THOR ERG21, AMD EPYC 7742 64C 2.25GHz, NVIDIA A100 SXM4 40 GB, Infiniband HDR, Format sp. z o.o. Cyfronet Poland	47,616	5.05	147	29.926

Green  
Top 500  
Junio 2022

<https://www.top500.org/lists/green500/2022/06/>

# Motivación

TOP500						
Rank	Rank	System	Cores	Rmax (PFlop/s)	Power (kW)	Energy Efficiency (GFlops/watts)
1	255	Henri - ThinkSystem SR670 V2, Intel Xeon Platinum 8362 32C 2.8GHz, NVIDIA H100 80GB PCIe, Infiniband HDR, Lenovo Flatiron Institute United States	8,288	2.88	44	65.396
2	34	Frontier TDS - HPE Cray EX235a, AMD Optimized 3rd Generation EPYC 64C 2GHz, AMD Instinct MI250X, Slingshot-11, HPE DOE/SC/Oak Ridge National Laboratory United States	120,832	19.20	309	62.166
3	12	Alusara - HPE Cray EX235a, AMD Optimized 3rd Generation EPYC 64C 2GHz, AMD Instinct MI250X, Slingshot-11, HPE Grand Equipement National de Calcul Intensif - Centre Informatique National de l'Enseignement Supérieur (GENCI-CINES) France	319,072	16.18	921	58.021
4	17	Setonix - GPU - HPE Cray EX235a, AMD Optimized 3rd Generation EPYC 64C 2GHz, AMD Instinct MI250X, Slingshot-11, HPE Pawsey Supercomputing Centre, Kensington, Western Australia Australia	181,248	27.16	477	56.983
5	77	Dardel GPU - HPE Cray EX235a, AMD Optimized 3rd Generation EPYC 64C 2GHz, AMD Instinct MI250X, Slingshot-11, HPE KTH - Royal Institute of Technology Sweden	52,864	8.26	146	56.491

Green  
Top 500  
Junio 2023

<https://www.top500.org/lists/green500/2023/06/>

# Motivación



6	1	Frontier - HPE Cray EX235a, AMD Optimized 3rd Generation EPYC 64C 2GHz, AMD Instinct MI250X, Slingshot-11, HPE DOE/SC/Oak Ridge National Laboratory United States	8,699,904	1,194.00	22,706	52.592
7	3	LUMI - HPE Cray EX235a, AMD Optimized 3rd Generation EPYC 64C 2GHz, AMD Instinct MI250X, Slingshot-11, HPE EuroHPC/CSC Finland	2,220,268	309.10	6,016	51.382
8	483	amplitude (GPU Partition) - MEGWARE D50DNP, Xeon Platinum 8480+ 56C 2GHz, NVIDIA H100 80GB PCIe, Infiniband NDR, MEGWARE University of Duisburg-Essen Germany	6,768	1.95	38	51.343
9	70	Goethe-NHR - Supermicro AS-4124GS-TNR, AMD EPYC 7452 32C 2.35GHz, AMD Instinct MI210 64 GB, Mellanox InfiniBand EDR, MEGWARE / Supermicro Universitaet Frankfurt Germany	96,768	9.09	196	46.543
10	187	ATOS THX.A.B - BullSequana XH2000, Xeon Platinum 8358 32C 2.6GHz, NVIDIA A100 SXM4 64 GB, Quad-raid NVIDIA HDR100 Infiniband, EVIDEN Atos France	25,056	3.50	86	46.411

Green  
Top 500  
Junio 2023

<https://www.top500.org/lists/green500/2023/06/>

# Motivación

- **Aplicaciones novedosas e interesantes:**
  - **Deep Learning para tratamiento del cancer**  
<https://news.developer.nvidia.com/improving-cancer-treatment-with-gpu-accelerated-supercomputers/>
  - **Procesamiento de imágenes en tomógrafo**  
<https://www.lanacion.com.ar/2157971-que-tiene-de-singular-el-primer-tomografo-disenado-en-la-argentina>

# Curso de GPGPU



# Curso de GPGPU

- **Nombre de la asignatura: Programación masivamente paralela en procesadores gráficos (GPUs)**
- **Créditos: 10**
- **Materia: Arquitectura, Sistemas Operativos y Redes de Computadoras.**
- **Previaturas:**
  - **Programación 2 (Examen).**
  - **Una de las tres siguientes opciones:**
    - **Examen de Arquitectura de Computadoras**
    - **Examen de Sistemas Operativos**
    - **Curso de Arquitectura de Computadoras y Curso de Sistemas Operativos**

# Curso de GPGPU

- **Objetivo de la asignatura:**
  - Introducir al estudiante en el uso de los procesadores gráficos para la resolución de problemas de propósito general.
- **Equipo docente:**
  - Pablo Ezzatti , Martín Pedemonte y Ernesto Dufrechou.

# Curso de GPGPU

- **Forma de evaluación:**
  - Realización de ejercicios durante el curso.
  - Trabajo de laboratorio final.
  - Defensa o prueba oral.
- **Para aprobar la asignatura se debe aprobar cada una de las instancias de evaluación.**
- **Calificación final:**
  - Ejercicios 40%
  - Laboratorio final 40%
  - Defensa o prueba oral 20%

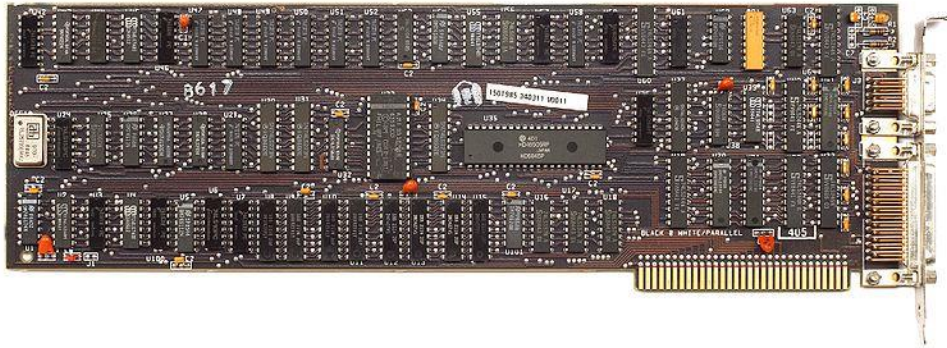
# Curso de GPGPU

- El curso no tiene cupo.
- Es fundamental que se matriculen al EVA:  
<https://eva.fing.edu.uy/course/view.php?id=1076>
- Toda la comunicación de información vinculada al curso se realiza a través del EVA del curso
- Dos clases por semana.

# Un poco de historia...

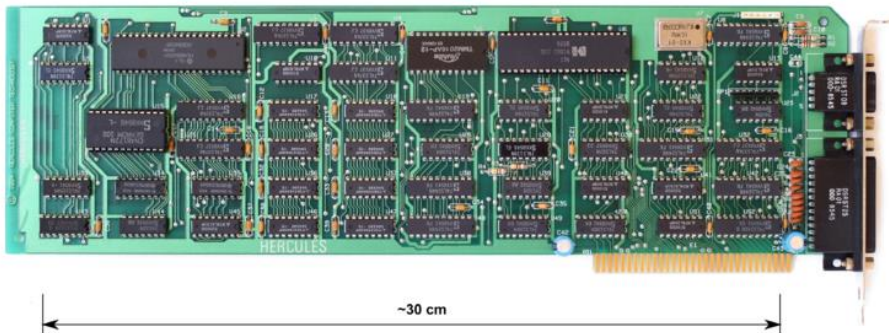
# Un poco de historia...

- **1981 – Monochrome Display Adapter (MDA):**
  - No permitía el despliegue de gráficos.
  - Solamente en modo texto: 80 columnas x 25 líneas, monocromo.
  - 4 KB de memoria.



# Un poco de historia...

- **1982 – Hercules Graphics Card:**
  - En modo texto: 80 columnas x 25 líneas, monocromo.
  - En modo gráfico todos los pixeles eran direccionables: 720 x 348 (mono).
  - 64 KB de memoria.



# Un poco de historia...

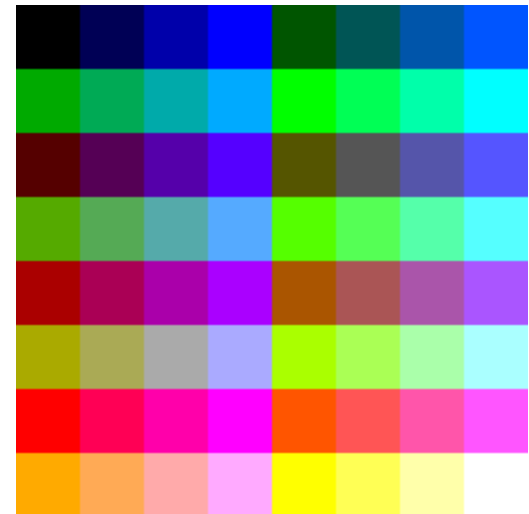
- **1981 – Color Graphics Adapter (CGA):**
  - Estándar de facto de IBM
  - Primera que soporta color.
  - En modo texto: 80 columnas x 25 líneas (16 colores) pero con más baja resolución y 40 columnas x 25 líneas (16 colores).
  - En modo gráfico: 640 x 200 (mono), 320 x 200 (4 colores) y 160 x 100 (16 colores).
  - 16 KB de memoria.





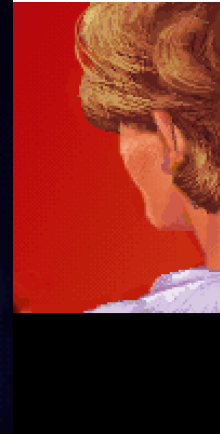
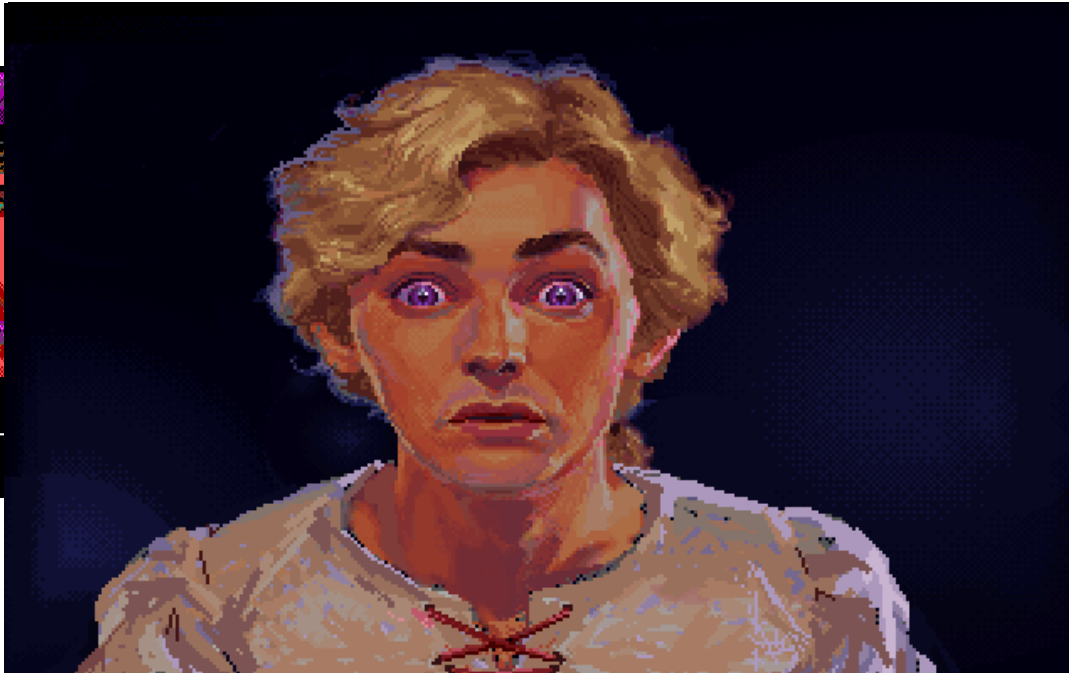
# Un poco de historia...

- **1984 – Enhanced Graphics Adapter (EGA):**
  - Resolución: 640 x 350 (16 colores de una paleta de 64 colores).
  - 64 KB y 256 KB de memoria.



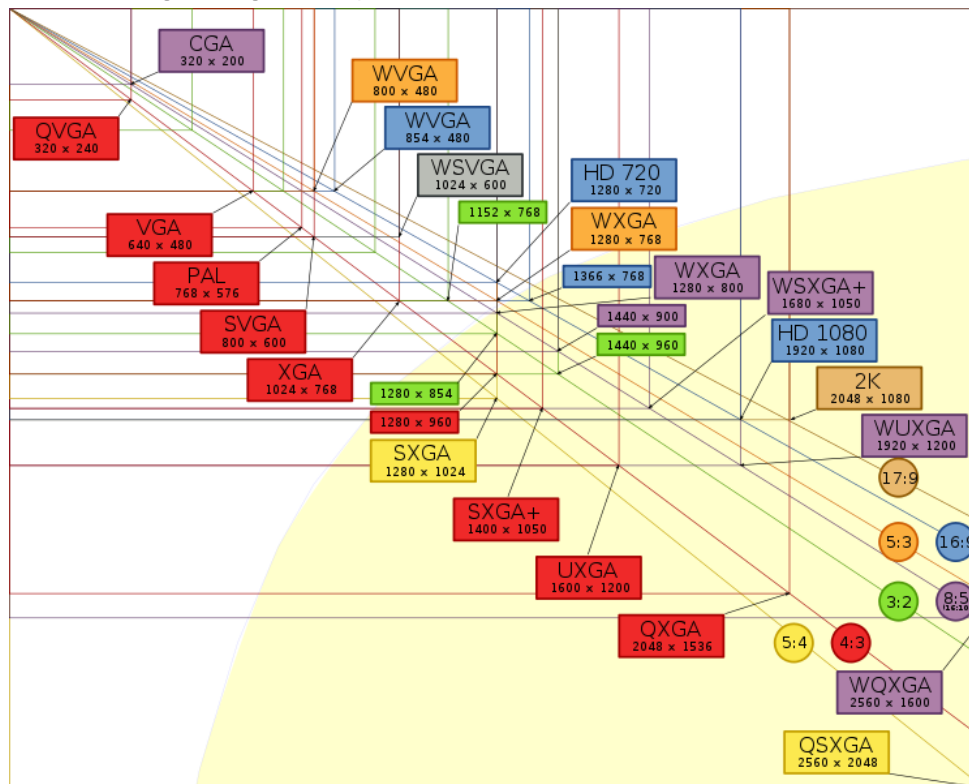
# Un poco de historia...

- **1987 – Video Graphics Array (VGA):**
  - Último estándar exitoso de IBM.
  - Diseñado como un single chip.
  - Resoluciones: 640 x 480 (16 colores) y 320 x 200 (256 colores).
  - 256 KB de memoria.



# Un poco de historia...

- Durante la década del '90 se mejoran las resoluciones:
  - Super VGA: 800 x 600.
  - XGA: 1024 x 768 (256 colores, 8 bits por pixel) y 800 x 600 (65536 colores, 16 bits por pixel).



# Un poco de historia...

- Durante la década del '90 se presentan las primeras tarjetas con capacidad de reproducir efectos en 2D/3D:
  - 3dfx Interactive (1996-2000):
    - Línea Voodoo
  - ATI (1995-2004):
    - Línea Rage
  - Nvidia (1998-2005):
    - Líneas TNT y GeForce



# ¿Dónde estamos hoy?

## Videos en tiempo actuales:

<https://www.youtube.com/watch?v=KJRZTkttgLw>

<https://www.youtube.com/watch?v=AV279wThmVU>

<https://www.youtube.com/watch?v=tjf-1BxpR9c>

# El pipeline gráfico

# El pipeline gráfico

- Las operaciones para visualizar imágenes en pantalla se agrupan en un proceso generalmente conocido como pipeline gráfico.
- Típicamente se deben desplegar imágenes que son proyecciones de escenas tridimensionales en una pantalla bidimensional.
- Durante la década del 90 se diseñan tarjetas gráficas que van incorporando etapas del pipeline gráfico, con el fin de aliviar a la CPU.

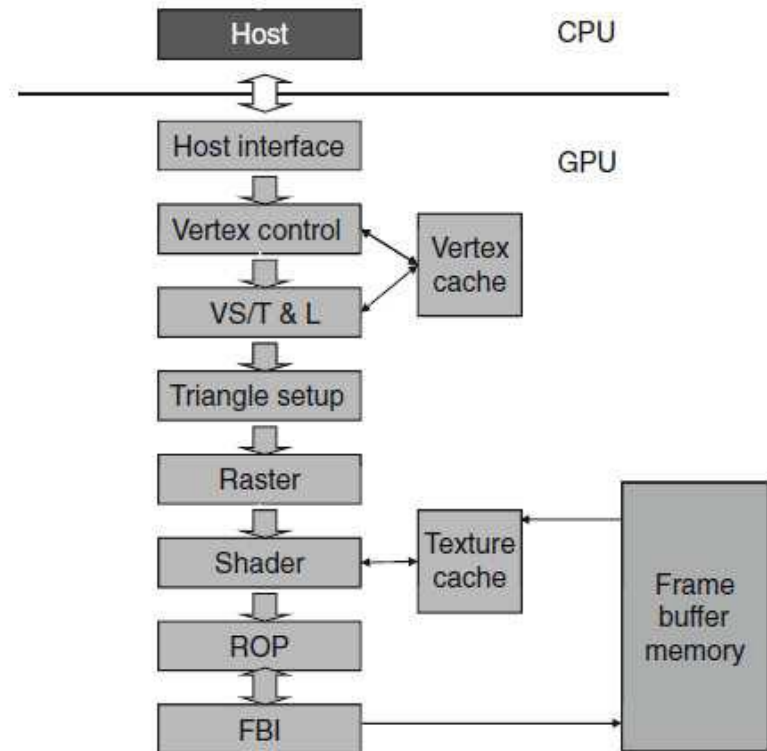
# El pipeline gráfico

- **En 1999, Nvidia lanza al mercado la GeForce 256 que es considerada la primera GPU (Graphics Processing Unit).**
- **La GeForce 256 es la primera tarjeta de video consumer-level que implementa el pipeline gráfico completo.**
- **El pipeline gráfico ha sido definido con diferente nivel de detalle por diversos autores.**
- **A continuación presentaremos el pipeline gráfico basado en la descripción de Kirk y Hwu (Programming Massively Parallel Processors: A Hands-on Approach).**



# El pipeline gráfico

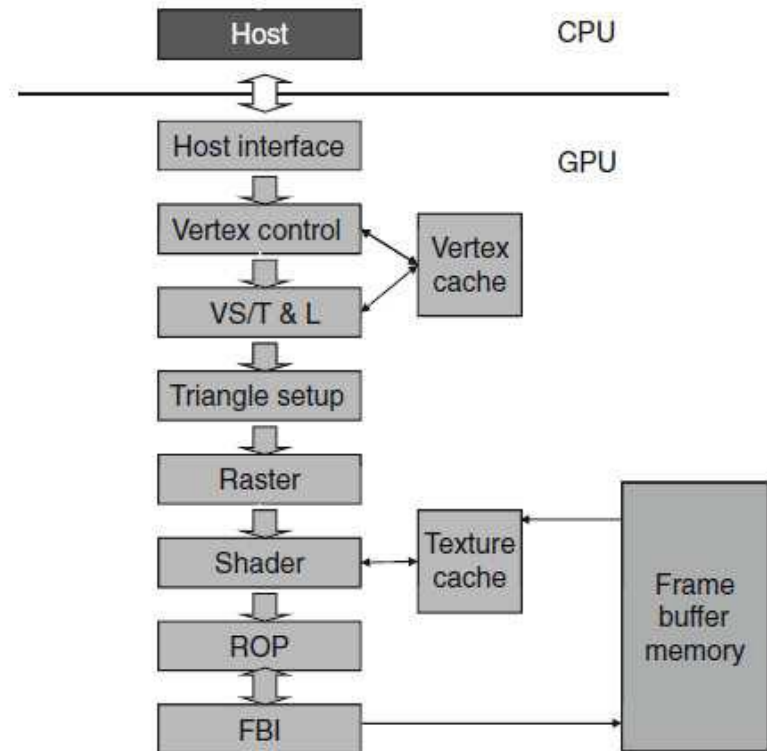
- La primera etapa del pipeline se encarga de recibir las imágenes de la CPU en algún formato manejable.
- Dicho formato es una colección de primitivas.
- Las primitivas suelen ser triángulos ya que son los polígonos más simples y permiten un manejo eficiente.



# El pipeline gráfico

- **Vertex control:**

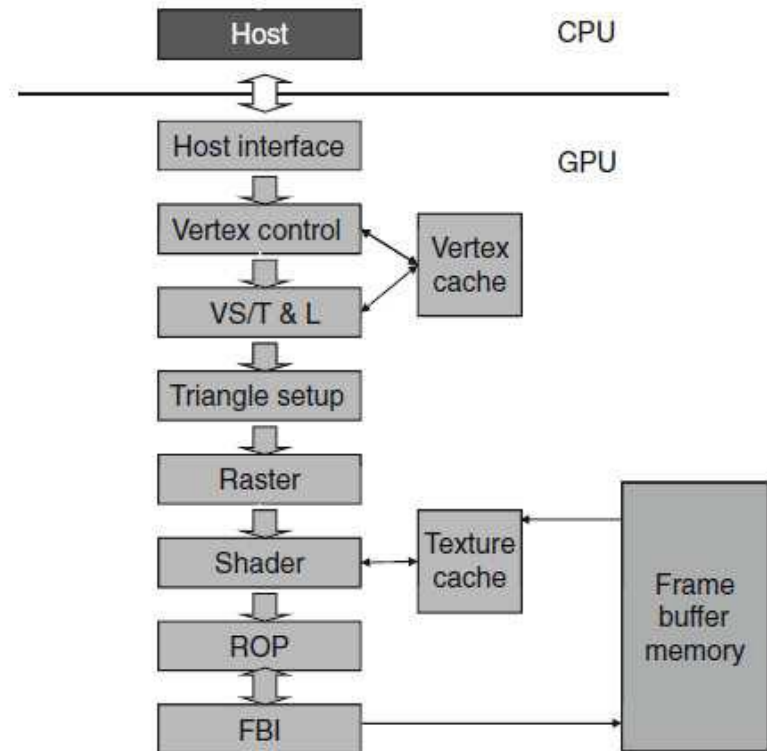
- Cada triángulo se transforma de acuerdo a su posición y orientación respecto al punto de vista.
- Cada uno de los vértices del triángulo se transforma a otra posición.
- Se eliminan los vértices no visibles.



# El pipeline gráfico

- **VS/T & L:**

- Sombreado de vértices, transformaciones e iluminación.
- Se transforman los vértices, asignando propiedades a los vértices visibles como son: colores, normales, tangentes, texturas, etc.
- Esta etapa es realizada por los vertex shaders.
- Es una etapa computacionalmente costosa.



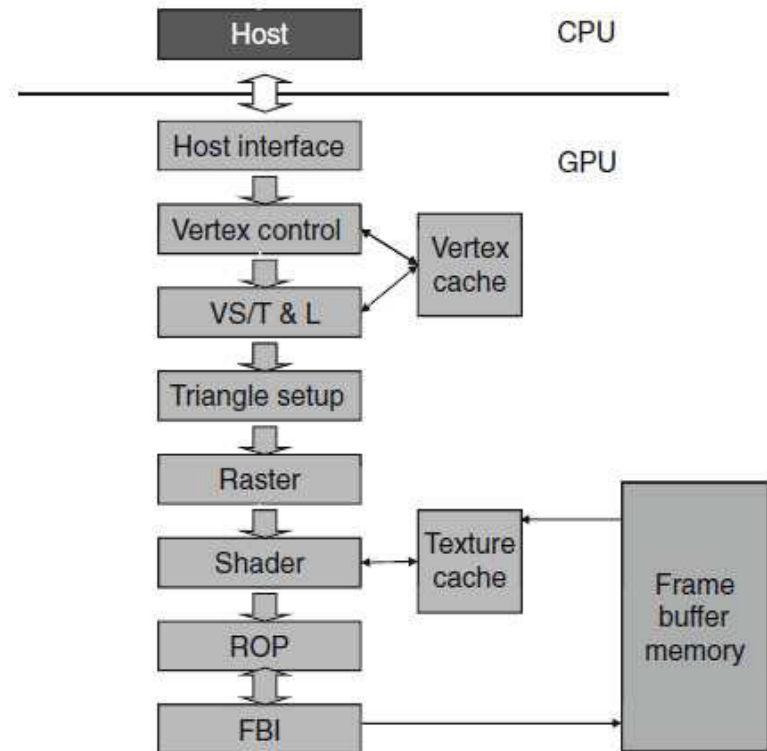
# El pipeline gráfico

- **Triangle setup:**

- Realiza cálculos para las aristas, interpolando colores y otros valores de los vértices.

- **Raster:**

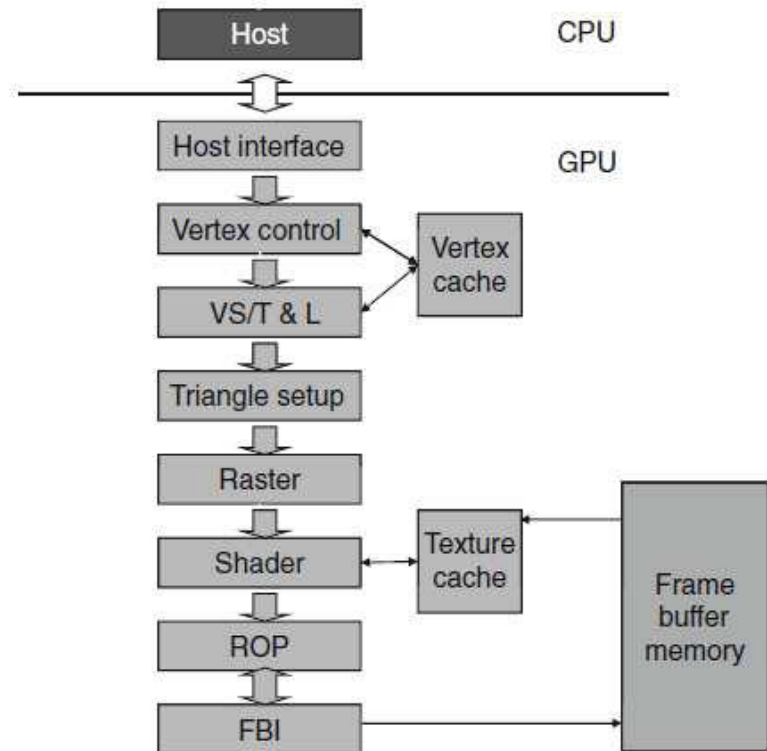
- Determina para cada triángulo que píxeles lo integran.
- Por cada píxel se interpola, a partir de los vértices, los valores necesarios para sombrear los píxeles, evaluar la inclusión de colores y determinar la posición de la textura que será pintada en el píxel.



# El pipeline gráfico

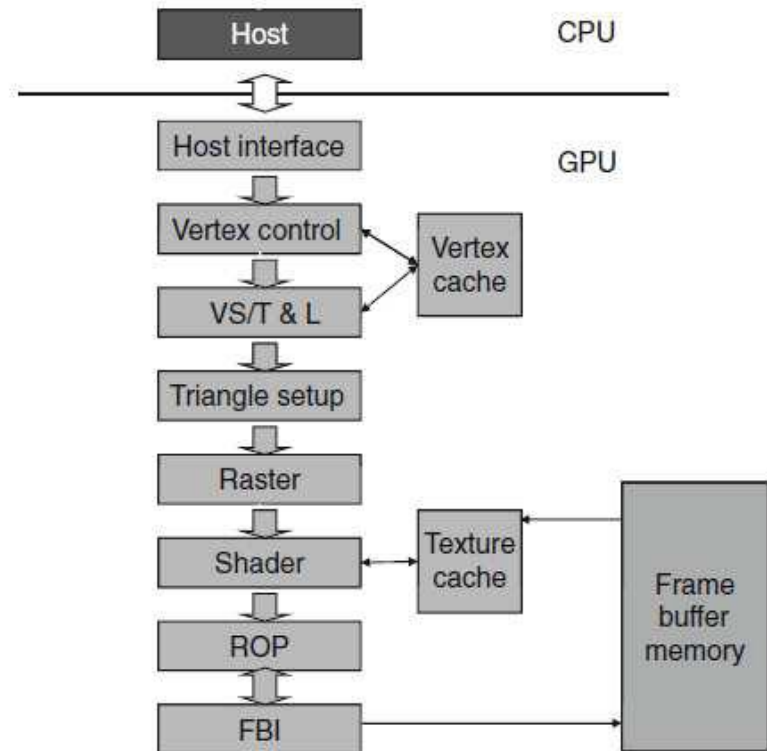
- **Shader (sombreado):**

- En esta etapa se ejecutan los efectos que permiten renderizar imágenes en forma más realista.
- Se determina el color final de cada píxel.
- Se utilizan técnicas como la interpolación de colores entre vértices, el mapeo de textura, la iluminación por píxel.
- Esta etapa es computada por los pixel shaders.
- Esta etapa es costosa computacionalmente.



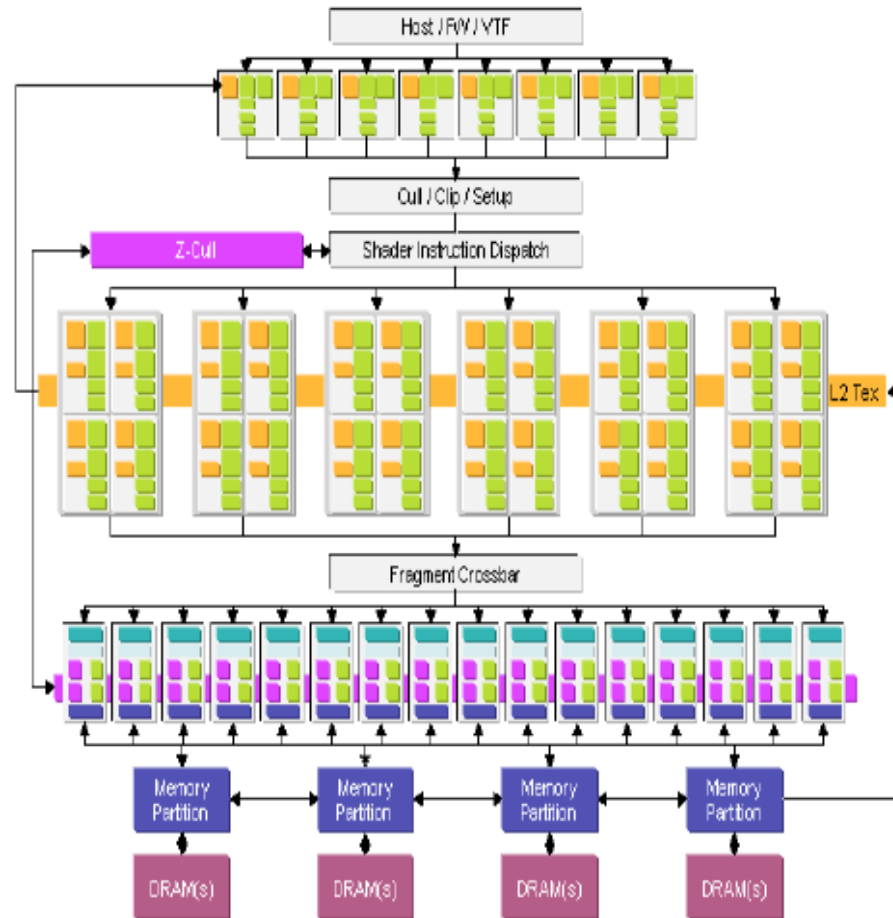
# El pipeline gráfico

- **ROP (Raster OPeration):**
  - Se aplican restricciones finales sobre cada píxel.
  - Por ejemplo: mezcla de colores de triángulos superpuestos para mejorar los efectos de transparencias y antialiasing.
  - Se determinan los objetos visibles para un punto de vista dado y se descartan los píxeles ocultos.
- **FBI (Frame Buffer Interface):**
  - Lee y escribe en el buffer de imagen.



# El pipeline gráfico

Ejemplo: la arquitectura de la GeForce 7800 (pre-CUDA)

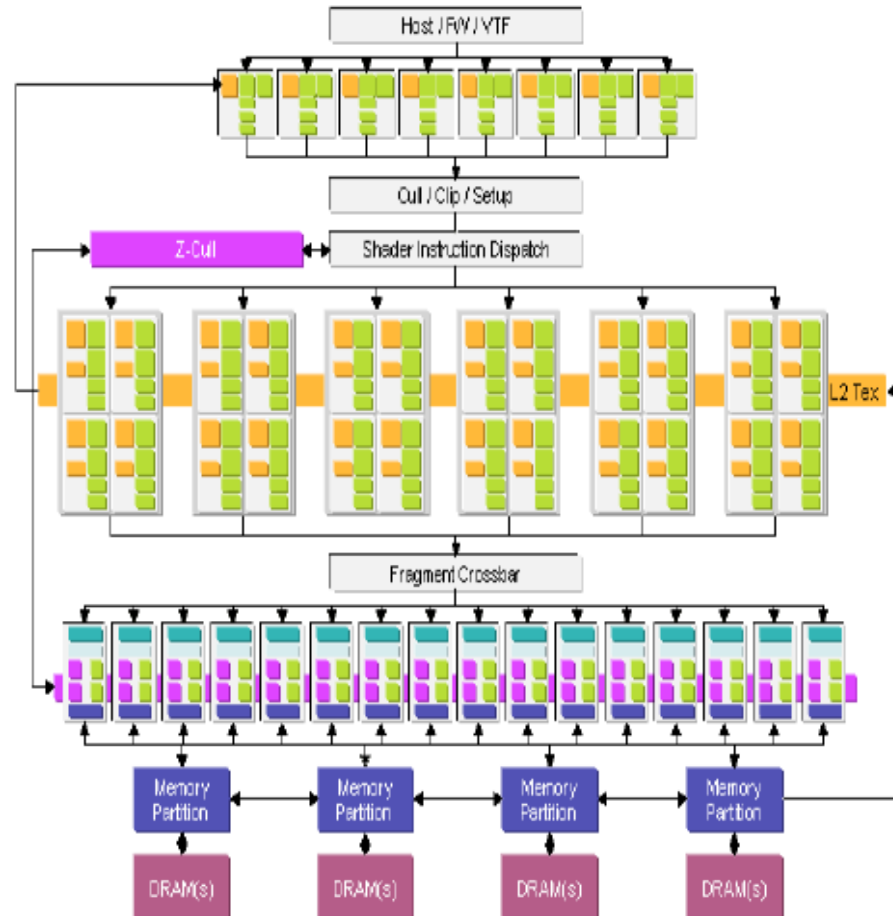


**¿Por qué una arquitectura unificada?**



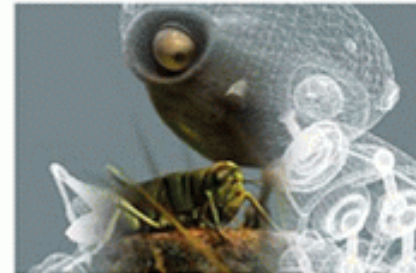
# ¿Por qué una arquitectura unificada?

## La arquitectura de la GeForce 7800

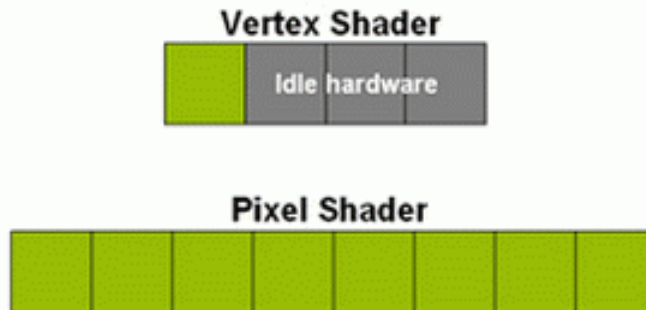


# ¿Por qué una arquitectura unificada?

## Why unify?



Heavy Geometry  
Workload Perf = 4



Heavy Pixel  
Workload Perf = 8

# ¿Por qué una arquitectura unificada?

## Why unify?

### Unified Shader



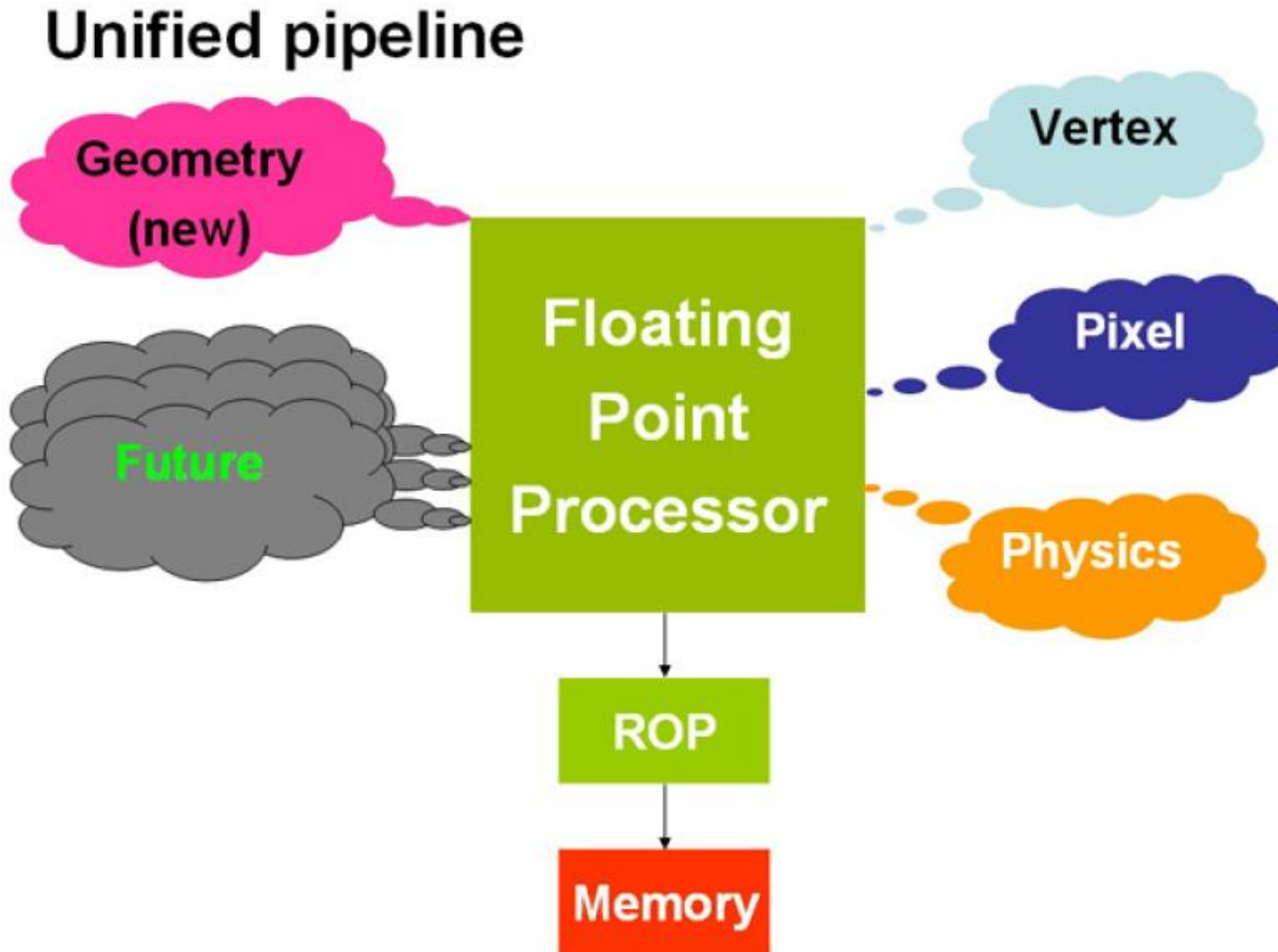
**Heavy Geometry  
Workload Perf =12**

### Unified Shader

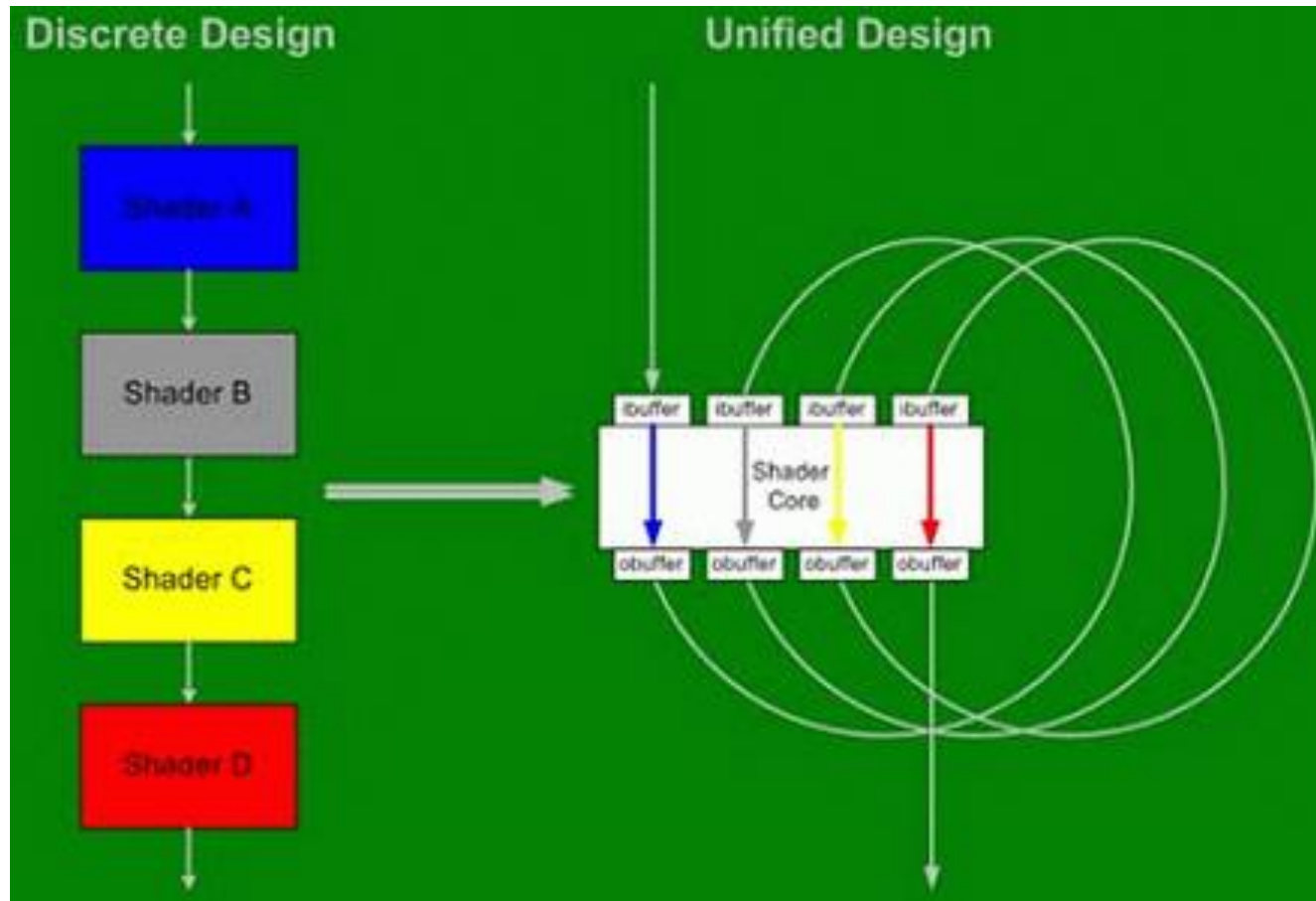


**Heavy Pixel  
Workload Perf = 12**

# ¿Por qué una arquitectura unificada?

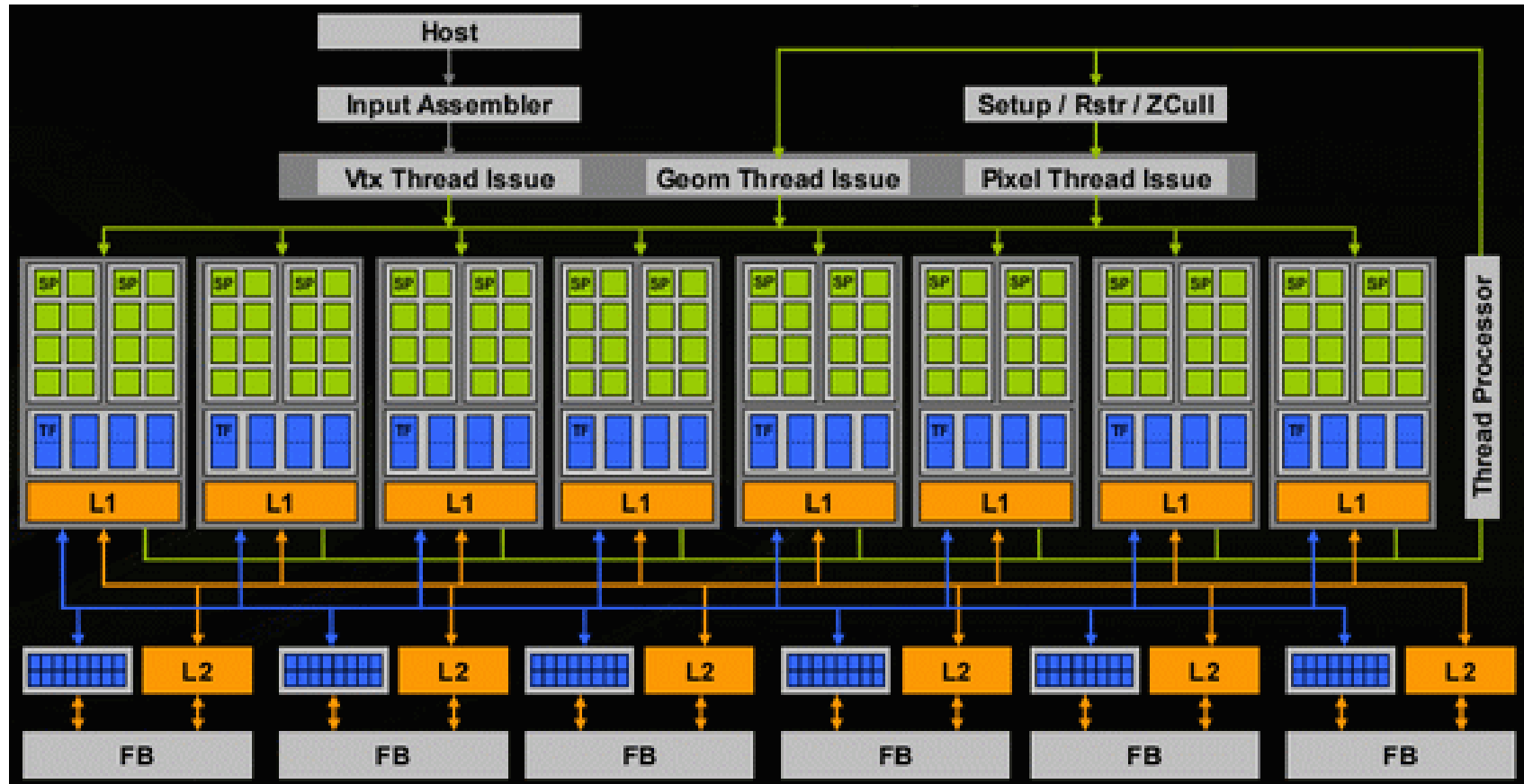


# ¿Por qué una arquitectura unificada?



# ¿Por qué una arquitectura unificada?

## La arquitectura del chip G80 (GeForce 8800)



# ¿Por qué una arquitectura unificada?

## Cambia, todo cambia: Arquitectura Ampere (2021)



# Tarjetas programables



# Tarjetas programables

- **En los últimos años existe un auge de la utilización de GPUs para el cómputo de problemas de propósito general.**
- **Este crecimiento se basa fundamentalmente en:**
  - **La arquitectura es intrínsecamente paralela, en contraste con la arquitectura serial de las CPUs.**
  - **La industria de los videojuegos presiona a los fabricantes de tarjetas gráficas para aumentar las capacidades de procesamiento gráfico para que los juegos sean más realistas y más rápidos.**
  - **El surgimiento de lenguajes de programación de propósito general para GPUs.**

# Tarjetas programables

- Las tarjetas de video viejas tenían un pipeline gráfico fijo.
- Las operaciones ejecutadas y el orden en que se aplicaban sobre los datos estaba preconfigurado.
- Originalmente, las GPUs proveían operaciones propias para la transformación e iluminación (vertex shaders) en los vértices, y para determinar el color final de los píxeles (pixel shaders).

# Tarjetas programables

- **1999-2006: se produce una mejora significativa en las capacidades de programación de las GPUs.**
- **Algunos hitos son:**
  - **GeForce 3 (2001): primera GPU que ejecutaba vertex shaders programados en DirectX 8 (pudiendo programar la etapa de VS/T & L).**
  - **ATI Radeon 9700 (2002): introdujo la aritmética de punto flotante de 24 bits en los pixel shaders (DirectX 9 y OpenGL).**
  - **GeForce FX (2002-2003): introdujo el trabajo con aritmética de punto flotante de 32 bits.**
  - **Xbox 360 (2005): primera arquitectura unificada de procesadores para el pipeline gráfico. Una sola clase de procesadores computa las distintas secciones del pipeline.**

# Tarjetas programables

- **En un principio, el avance en el hardware no fue acompañado por un avance en el software de manejo de las GPUs.**
- **Inicialmente la programación de las GPUs se realizaba mediante llamados a servicios de interrupción de la BIOS.**
- **Posteriormente, se comenzaron a desarrollar los shaders en el lenguaje ensamblador específico de cada modelo.**
- **Esto implicaba la existencia de varios lenguajes y baja portabilidad de los programas.**
- **Otra alternativa era utilizar las APIs gráficas como OpenGL y DirectX.**

# Tarjetas programables

- Evidentemente esto representaba una limitación para el desarrollo de aplicaciones.
- Para solucionarlo se desarrollaron diferentes lenguajes de programación de más alto nivel que funcionaran sobre los modelos de GPU existentes, como: High-Level Shading Language (HLSL) y Cg.
- Posteriormente, otros lenguajes de alto nivel surgieron basados en considerar la GPU como un stream processor como: Brook, Sh, PyGPU, Accelerator Language, Close to the Metal (CTM) y ATI Stream.
- Sin embargo, cada herramienta seguía siendo muy dependiente de la arquitectura de la GPU, el modelo, etc.

# CUDA

# CUDA

- **En el año 2007, Nvidia presenta CUDA (Compute Unified Device Architecture).**
- **Produjo un cambio radical en la arquitectura de las GPUs de Nvidia:**
  - **arquitectura unificada sin distinción entre procesadores de píxeles y vértices.**

# CUDA

- **Produjo un cambio radical en el software para desarrollo de aplicaciones en las GPUs de Nvidia.**
- **Es el mojón más importante desde el nacimiento de la programación de propósito general en GPUs (GPGPU).**
- **Masificó la GPGPU, ya que dejó de ser un juego para eruditos y se transformó en una alternativa a la alcance de cualquier desarrollador.**

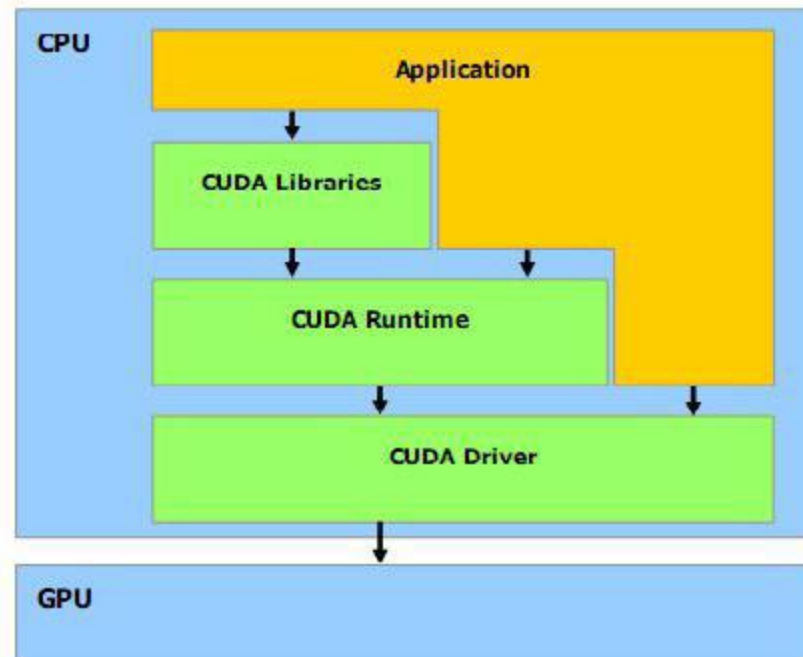


# CUDA

- **Pero, ¿qué es CUDA?**
- **CUDA:**
  - Es una arquitectura de computación paralela para el cómputo de problemas de propósito general diseñada por Nvidia.
  - Está enfocada al cálculo masivamente paralelo y las capacidades de procesamiento que brinda las tarjetas gráficas de Nvidia.
  - Permite programar el dispositivo a través de extensiones de lenguajes de programación estándar (C y Fortran)
  - Está disponible para las tarjetas gráficas GeForce de la serie 8 en adelante.
  - Es compatible con Linux de 32/64 bits y Windows de 32/64 bits.

# CUDA

- Se compone de una pila de capas de software que incluye bibliotecas, el CUDA Runtime y el CUDA Driver.



# CUDA

- **Bibliotecas de CUDA:**
  - Dos bibliotecas matemáticas de alto nivel: CUFFT y CUBLAS.
  - CUFFT para el cálculo de Transformadas de Fourier.
  - CUBLAS es una implementación de BLAS (Basic Linear Algebra Subprograms) en GPU.
- **CUDA Driver:**
  - Es un controlador de hardware.
  - Está dedicado a la transferencia de datos entre la CPU y la GPU.
- **CUDA Runtime:**
  - Provee una interfaz de programación de aplicaciones (API).
  - Provee un conjunto de instrucciones accesible a través de lenguajes de alto nivel como son Fortran y C.

# CUDA

- **Al programar en CUDA, la GPU se ve como un dispositivo de cómputo capaz de ejecutar un número muy elevado de hilos en paralelo.**
- **La GPU funciona como un coprocesador de la CPU (host).**
- **A la GPU se le suele llamar dispositivo (device).**

# CUDA

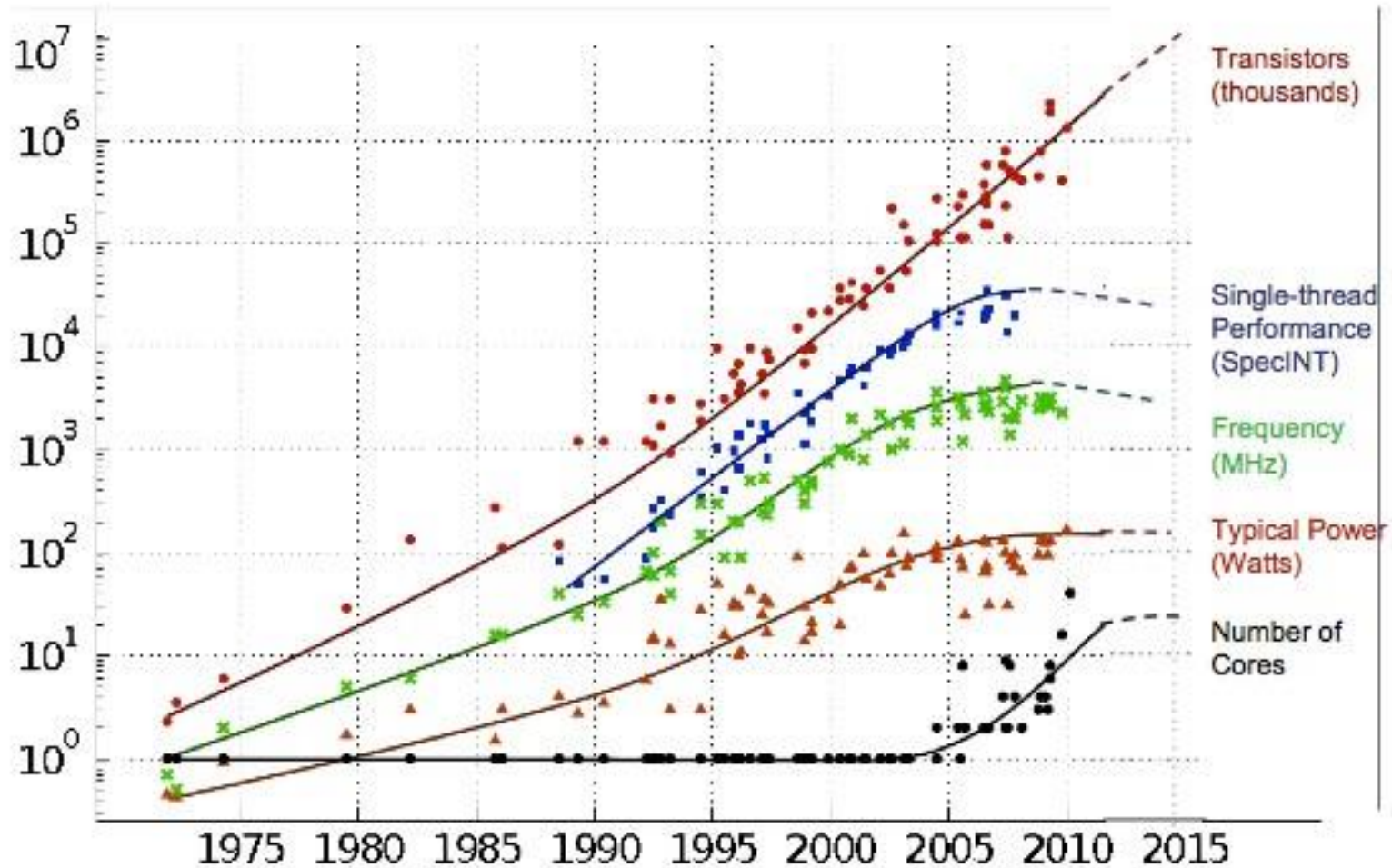
- Si una parte de una aplicación se ejecuta muchas veces pero en forma independiente sobre diferentes datos, puede ser aislada en una función que se ejecutará en el dispositivo mediante muchos hilos de ejecución en forma concurrente.
- La función se compila usando el conjunto de instrucciones del dispositivo.
- El programa resultante, llamado núcleo (kernel), se descarga en el dispositivo para su ejecución.

# CUDA

- **El curso se centra en CUDA y las arquitecturas de Nvidia.**
- **Se comentarán algunos aspectos de otros lenguajes que siguen una filosofía similar como OpenCL.**
- **No se entrará en detalles de las arquitecturas de AMD/ATI ya que presentan características distintas.**

# Comparación de la performance CPU vs GPU

# Comparación de la performance CPU vs GPU

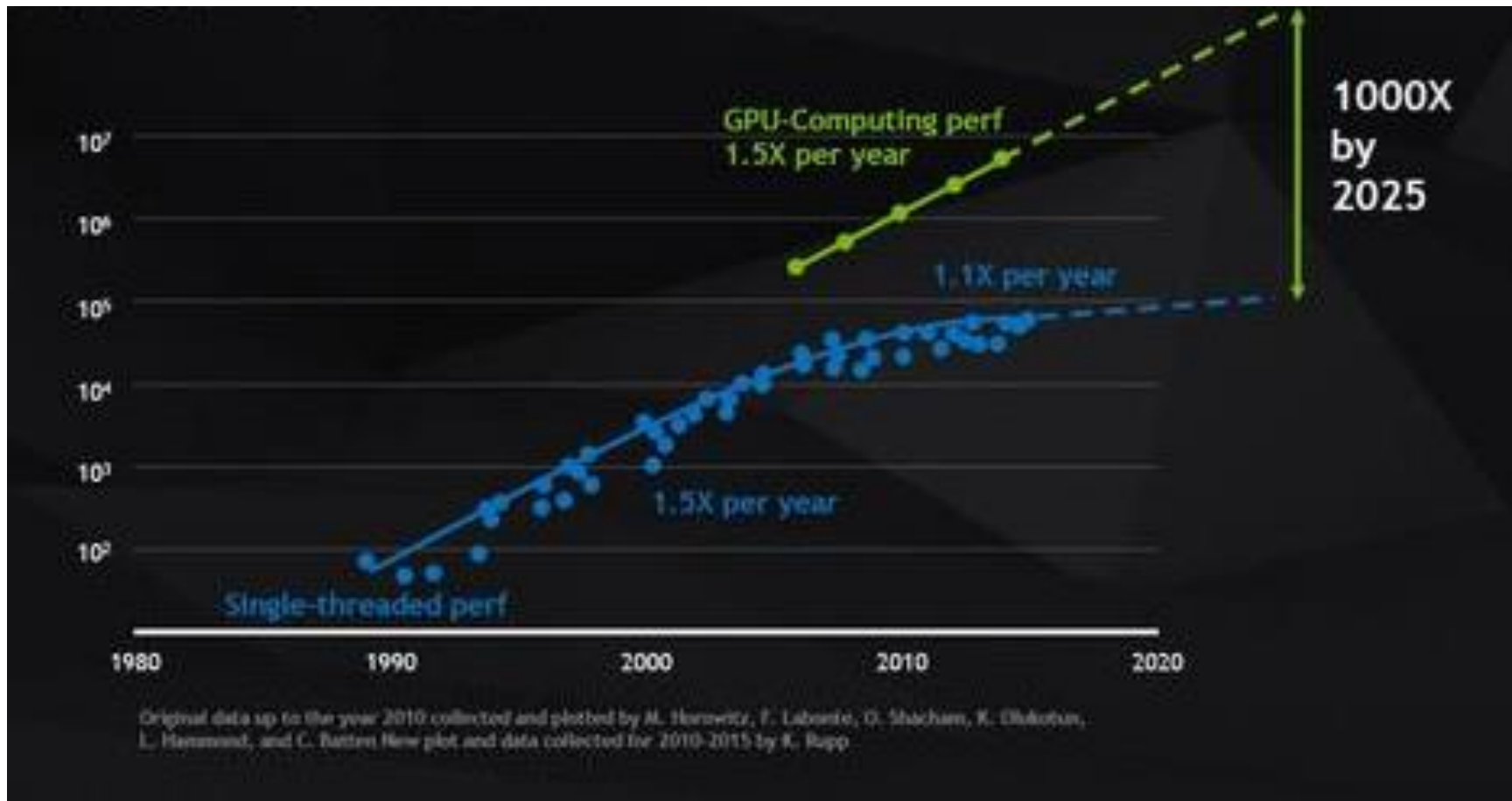


Original data collected and plotted by M. Horowitz, F. Labonte, O. Shacham, K. Olukotun, L. Hammond and C. Batten  
Dotted line extrapolations by C. Moore



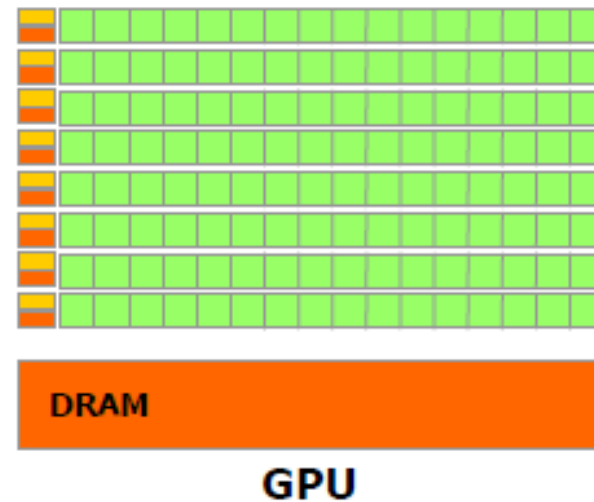
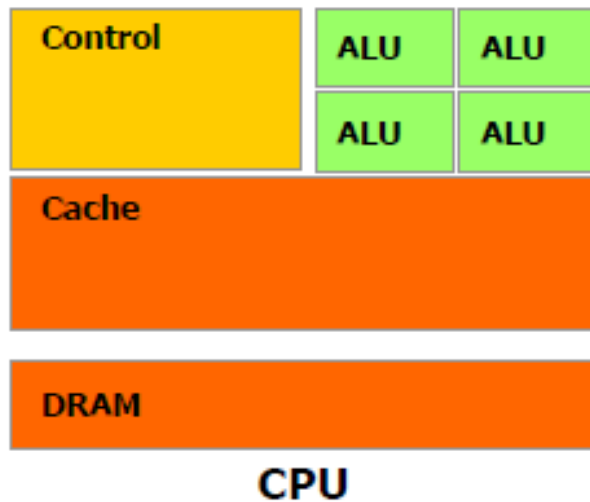
# Comparación de la performance CPU vs GPU

## Pico teórico de performance en GFLOP/s



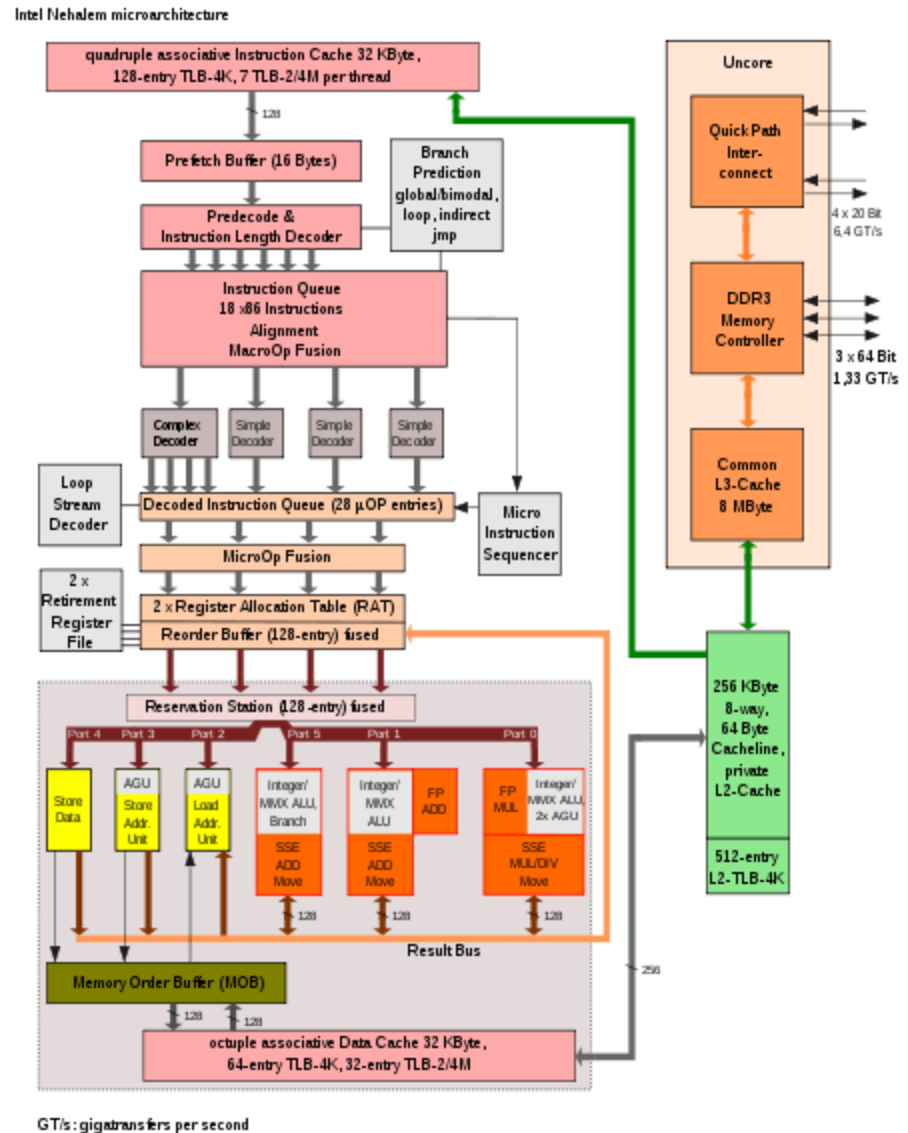
# Comparación de la performance CPU vs GPU

- La arquitectura de las GPUs es radicalmente distinta a la de una CPU.



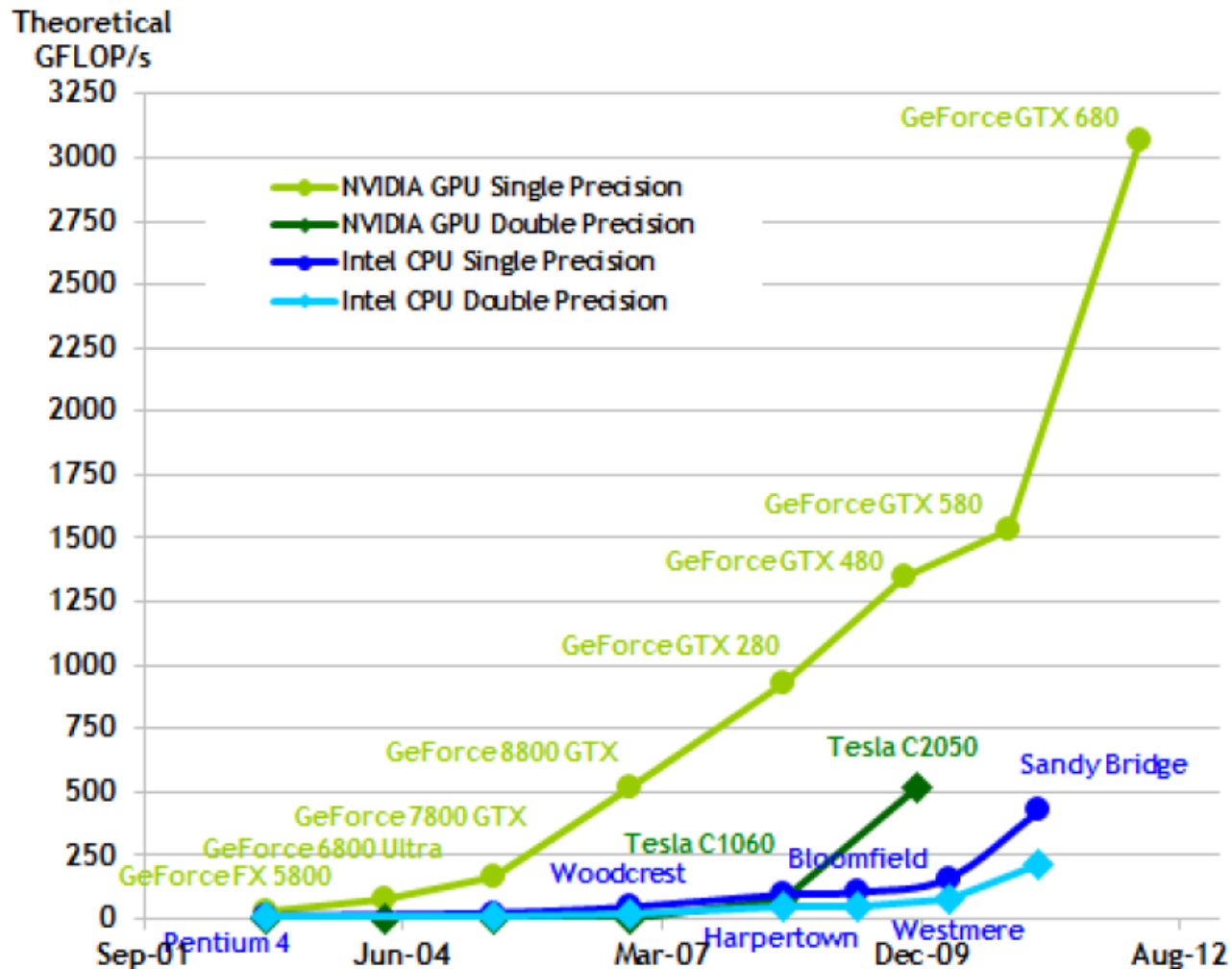
# Comparación de la performance CPU vs GPU

- En una CPU tradicional gran parte de los transistores están dedicados a realizar otro tipo de tareas:
  - Predicción de branches.
  - Prefetch de memoria.
  - Ejecución fuera de orden.
  - Caché de datos.
- En las GPUs hay más transistores dedicados al cálculo.



# Comparación de la performance CPU vs GPU

## Pico teórico de performance en GFLOP/s



# Comparación de la performance CPU vs GPU

- **¿Cómo se calcula el pico teórico de performance?**
  - **FLOPS = #cores \* Frecuencia \* Ops**
    - **FLOPS:** operaciones de punto flotante por segundo
    - **#cores:** número de cores
    - **Frecuencia:** frecuencia del core
    - **Ops:** operaciones de punto flotante por core y por ciclo.
- **La cantidad de operaciones de punto flotante por core depende de:**
  - Si es una CPU o una GPU.
  - Si se trabaja en simple o en doble precisión.

# Comparación de la performance CPU vs GPU

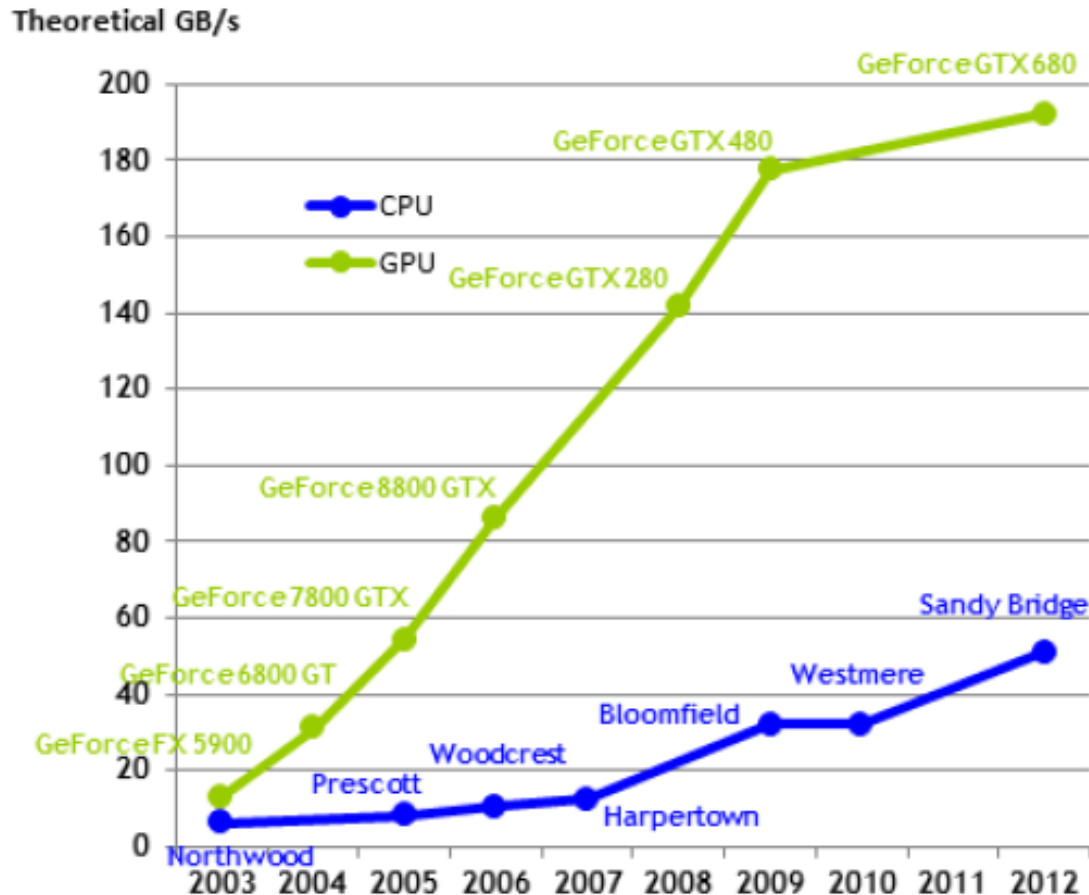
- **Un ejemplo de CPU: Westmere**
  - 8 ops de precisión simple por ciclo por core.
  - 4 ops de precisión doble por ciclo por core.
  - Gulftown/Westmere-EP: 6 Cores a 3.46 GHz (U\$S 1663)
  - Pico en simple =  $6 * 3.46 * 8 = 166.08$  GFLOPS
  - Pico en doble =  $6 * 3.46 * 4 = 83.04$  GFLOPS
  - El hyperthreading no mejora la performance

# Comparación de la performance CPU vs GPU

- **Un ejemplo de GPU: GeForce GTX 480**
  - 2 ops de precisión simple por ciclo por core.
  - 1/2 ops de precisión doble por ciclo por core.
  - GeForce GTX480: 480 CUDA Cores a 1401 MHz (U\$S 500)
  - Pico en simple =  $480 * 1401 * 2 = 1344.96$  GFLOPS
  - Pico en doble =  $480 * 1401 * 1/2 = 336.24$  GFLOPS
- **Algunos comentarios:**
  - Ojo! Un mega y un giga son 1000 y no 1024.
  - Las GeForce suelen tener peor desempeño en doble precisión (leyenda urbana: deshabilitan parte del funcionamiento). Las Tesla hacen más operaciones por ciclo pero son más caras.

# Comparación de la performance CPU vs GPU

Pico teórico de tasa de transferencia de memoria en GB/s





# Comparación de la performance CPU vs GPU

- **¿Cómo se calcula el pico teórico de tasa de transferencia de memoria?**
  - Tasa de transferencia = ancho del interfaz de memoria \* frecuencia de la memoria.
- **Un ejemplo de CPU: Westmere**
  - ancho del interfaz de memoria = 64 bits = 8 bytes
  - la memoria es 3xDDR3-1333 que puede leer o escribir dos palabras de datos por vez y cuatro veces por ciclo de reloj.
  - frecuencia de la memoria = 166.66 Mhz
  - Tasa de transferencia =  $3 * 2 * 4 * 8 * 166.66 = 31.99$  GB/s

# Comparación de la performance CPU vs GPU

- **Un ejemplo de GPU: GeForce GTX 480**
  - ancho del interfaz de memoria = 384 bits = 48 bytes
  - frecuencia de la memoria = 1848 Mhz
  - la memoria es GDDR5 que puede leer o escribir dos palabras de datos por ciclo de reloj.
  - Tasa de transferencia =  $48 * 1848 * 2 = 177.40$  GB/s

# Comparación de la performance CPU vs GPU

- La otra cara de la moneda:

- Estudio comparativo realizado por Intel entre un i7 de 4 cores y una GTX280 sobre varios problemas.
- La gráfica muestra la performance relativa entre la GTX280 y el i7.

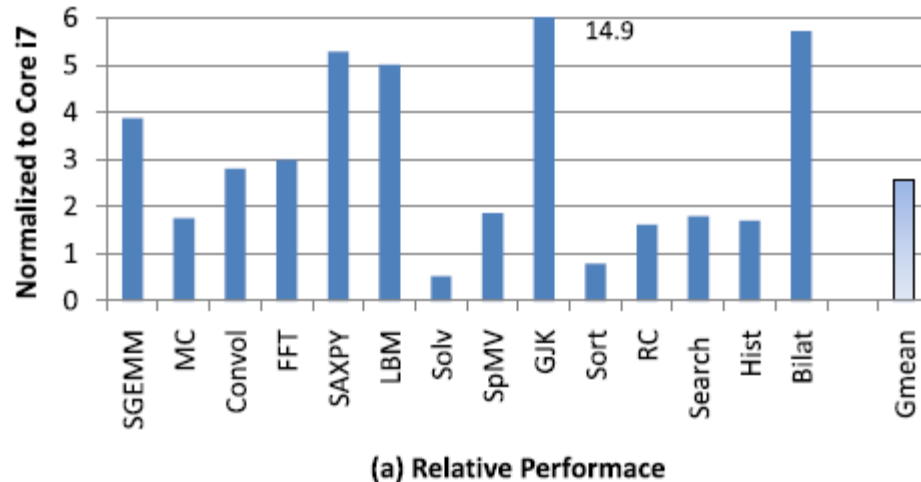


Figure 1: Comparison between Core i7 and GTX280 Performance.