

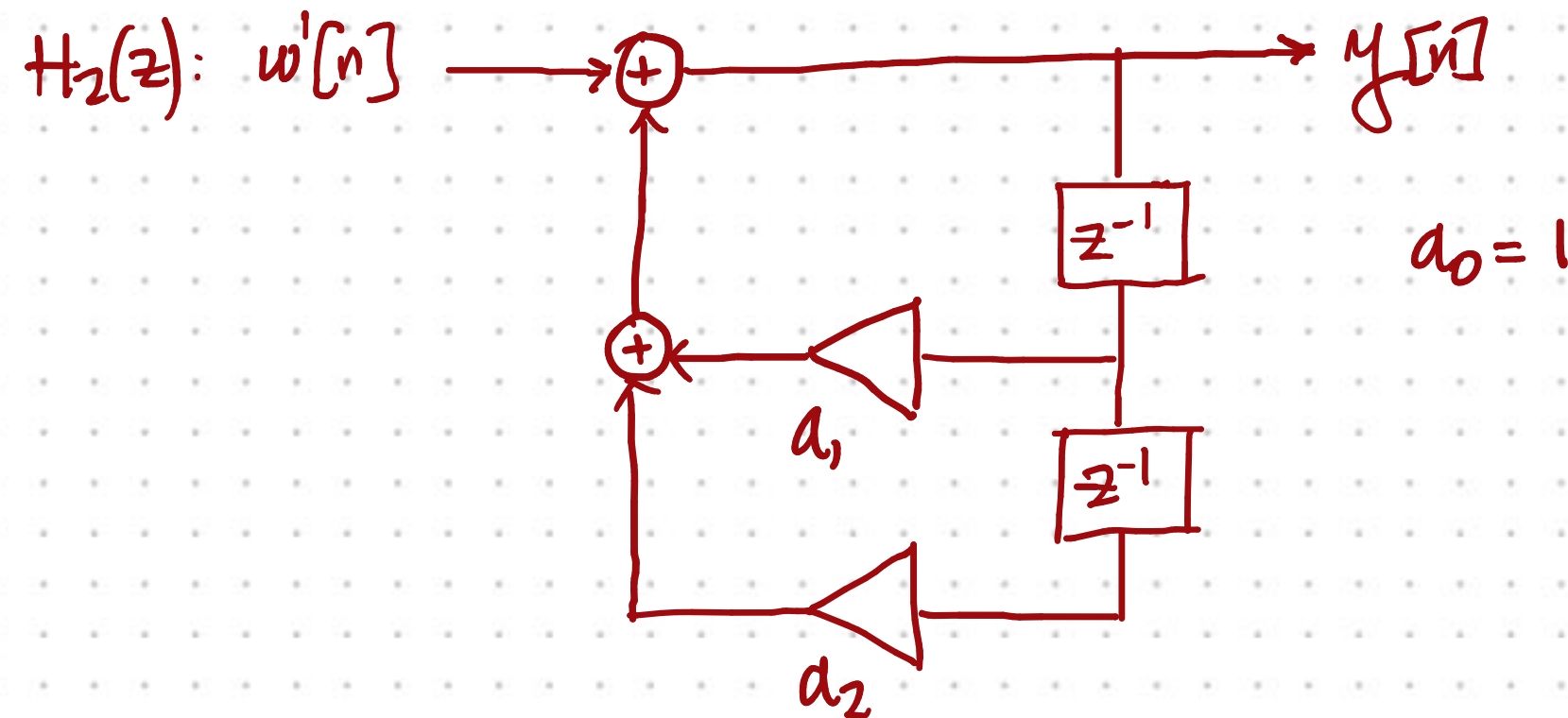
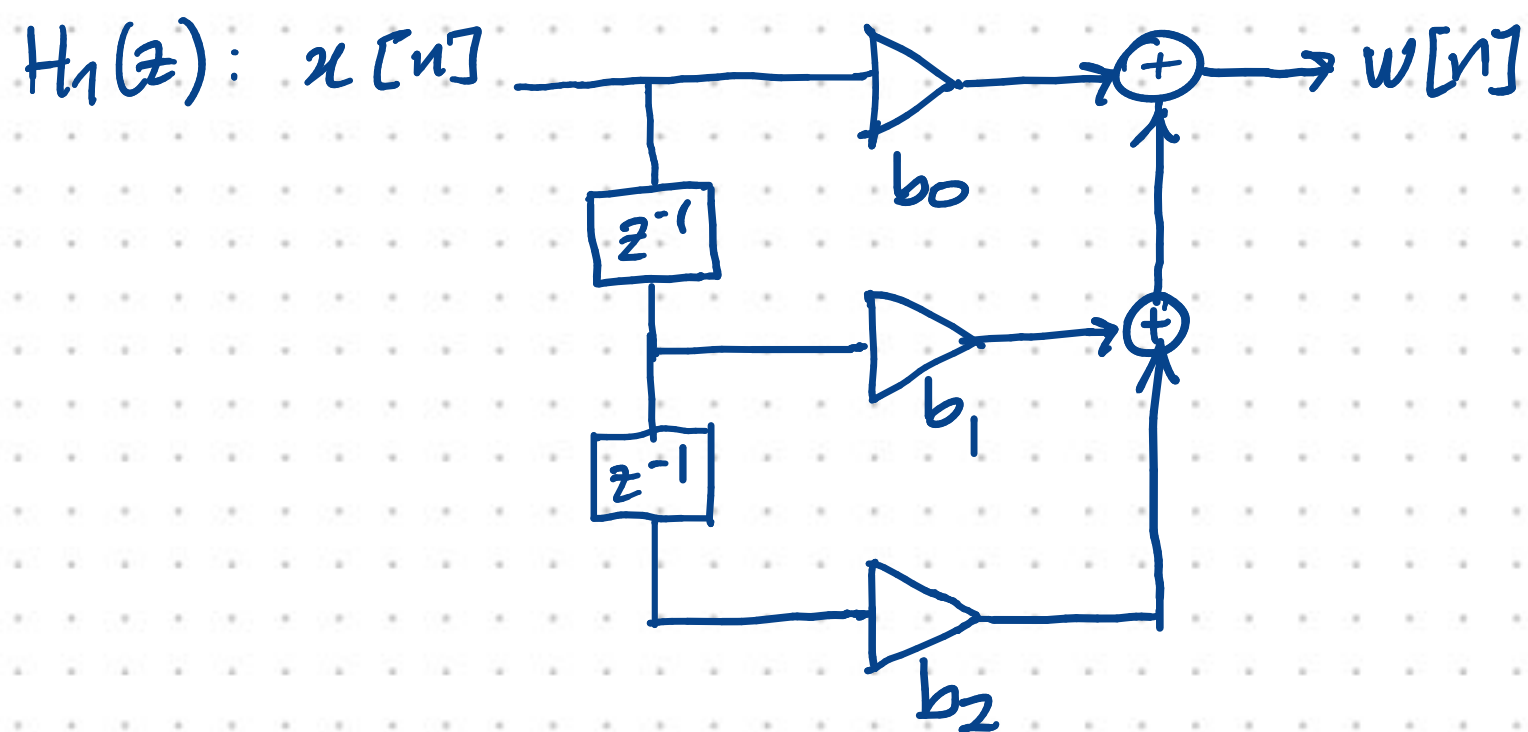
ECUACIÓN EN RECURRENCIA

⇒ TRANSFERENCIA DEL SISTEMA

$$\sum_{k=0}^N a_k y[n-k] = \sum_{m=0}^M b_j x[n-m]$$

$$H(z) = \frac{\sum_{m=0}^M b_j z^{-m}}{\sum_{k=0}^N a_k z^{-k}}$$

$$H(z) = \underbrace{\sum_{m=0}^M b_j z^{-m}}_{H_1(z)} \cdot \underbrace{\frac{1}{\sum_{k=0}^N a_k z^{-k}}}_{H_2(z)} = H_1(z) H_2(z) = H_2(z) H_1(z)$$



$$H(z) = H_1(z)H_2(z) = H_2(z)H_1(z)$$

